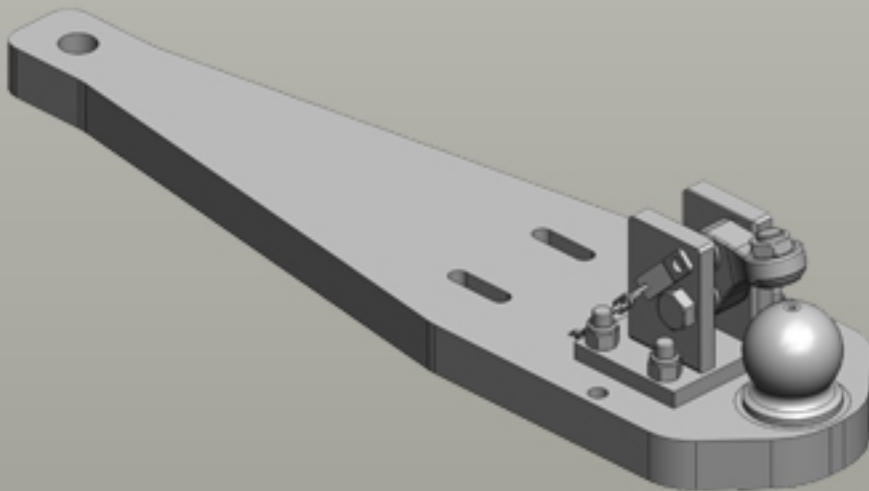
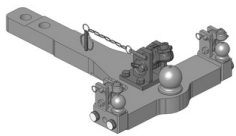

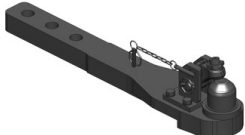





Heavy Duty Drawbars Massey Ferguson | 8600



Heavy Duty Drawbars

	Art.Nr. 00.960.578.0-A11 Heavy Duty Drawbars Standard K80® Ball Coupling System
	• fits up from Serial Number U294040 • fits to Original Ladder Hitch (ex factory) with Drawbar Frame
	Alternative color 
	00.960.578.0-A11 (AGCO-Grey)
	Technical Values*
Lenght (mm): 808 Wide (mm): 90 Assembly-Positions: 2 Thickness (mm): 60 Locking: K80® Manual Max. Permissible D-Value (kN): 92 Max. Permissible Vertical Load (kg): 3300 • Admitted Steering Power up to 20kN (2to)	
Adapted for Tractor	
Massey Ferguson: 8600: 8650, 8660, 8670, 8680, 8690; Valtra: S2-Serie: 232, 262, 292, 322, 352; S3-Serie: 233, 263, 293, 323, 353;	
	Art.Nr. 00.960.579.1-A11 Heavy Duty Drawbars Standard K80® Ball Coupling System
	• fits up from Serial Number U294040 • fits to Original Ladder Hitch (ex factory) with Drawbar Frame
	Alternative color 
	00.960.579.1-A11 (AGCO-Grey)
	Technical Values*
Lenght (mm): 920 Wide (mm): 90 Assembly-Positions: 3 Thickness (mm): 60 Locking: K80® Manual Max. Permissible D-Value (kN): 92 Max. Permissible Vertical Load (kg): 3300	
Adapted for Tractor	
Massey Ferguson: 8600: 8650, 8660, 8670, 8680, 8690; Valtra: S2-Serie: 232, 262, 292, 322, 352; S3-Serie: 233, 263, 293, 323, 353;	