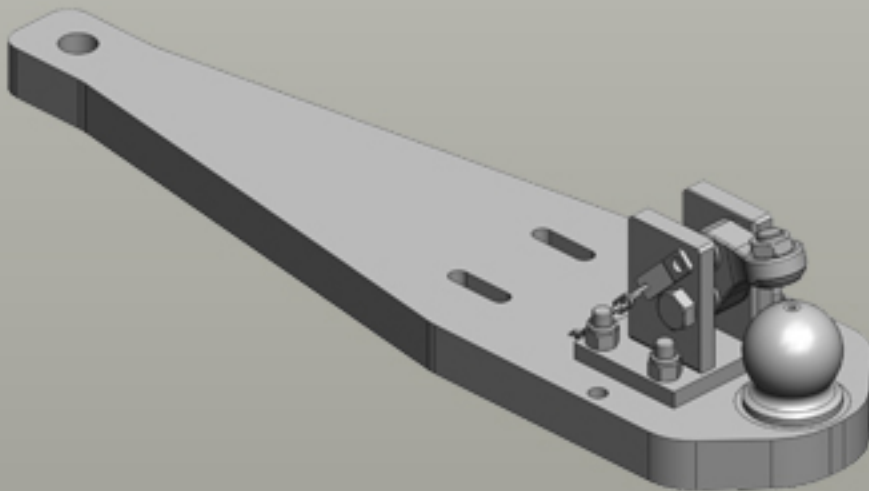
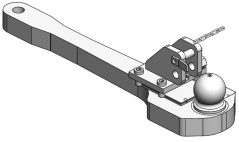

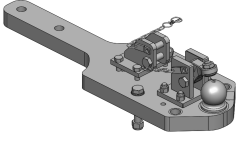





Heavy Duty Drawbars Massey Ferguson | 8400



Heavy Duty Drawbars

	Art.Nr. 00.960.313.0-A11 Heavy Duty Drawbars Standard K80® Ball Coupling System
	<ul style="list-style-type: none"> fits from 01/2002 up to 12/2007 fits with Fendt drawbarframe H916.501.120.102 for Favorit 800 fits with Fendt drawbarframe H920.500.120.100 for Favorit 900
	Alternative color  00.960.313.0-A11 (AGCO-Grey)
	Technical Values*
	Lenght (mm): 757 Wide (mm): 187 Assembly-Positions: 1 Thickness (mm): 50 Locking: K80® Manual Max. Permissible D-Value (kN): 89,3 Max. Permissible Vertical Load (kg): 3700
Adapted for Tractor	
Fendt: Favorit 800: 816, 818, 822, 824; Favorit-Vario 900: 916, 920, 924, 926; Vario 900: 916, 920, 922, 924, 926, 927, 930, 933, 936; Massey Ferguson: 8400: 8450, 8460, 8470, 8480;	
	Art.Nr. 00.960.3133.0-A11 Heavy Duty Drawbars Standard K80® Ball Coupling System
	<ul style="list-style-type: none"> fits from 01/2002 up to 12/2007 fits with Fendt drawbarframe H916.501.120.102 for Favorit 800 fits with Fendt drawbarframe H920.500.120.100 for Favorit 900
	Alternative color  00.960.3133.0-A11 (AGCO-Grey)
	Technical Values*
	Lenght (mm): 930 Wide (mm): 297 Assembly-Positions: 2 Thickness (mm): 50 Locking: K80® Manual Max. Permissible D-Value (kN): 89,3 Max. Permissible Vertical Load (kg): 3700
Adapted for Tractor	
Fendt: Favorit 800: 816, 818, 822, 824; Favorit-Vario 900: 916, 920, 924, 926; Vario 900: 916, 920, 922, 924, 926, 927, 930, 933, 936; Massey Ferguson: 8400: 8450, 8460, 8470, 8480;	