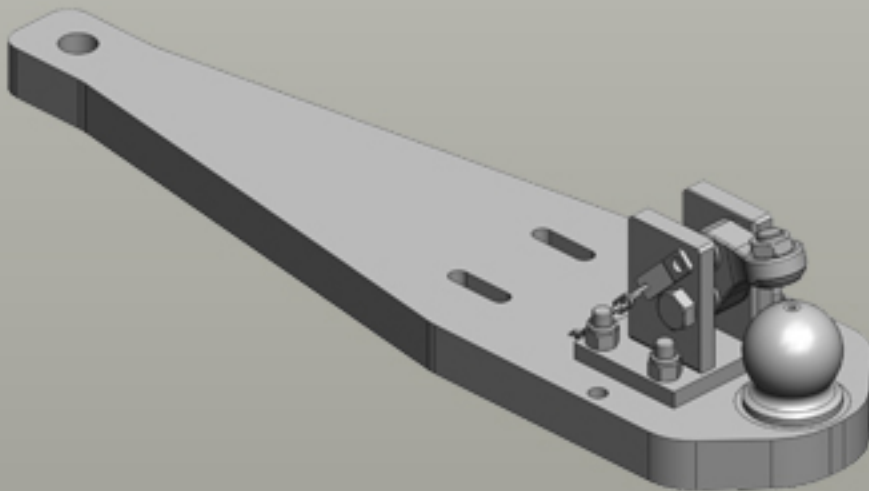
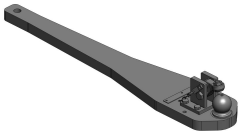

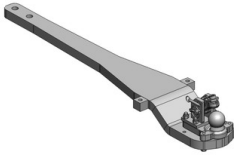





Heavy Duty Drawbars John Deere | 8R (Tier 3B)



Heavy Duty Drawbars

	Art.Nr. 00.960.400.0-A17 Heavy Duty Drawbars Standard K80® Ball Coupling System
	<ul style="list-style-type: none"> Please request Technical Drawing fits to Original Ladder Hitch (ex factory) with Drawbar Frame
	Alternative color  00.960.400.0-A17 (JD-Green)
	Technical Values*
	Length (mm): 1295 Wide (mm): 240 Assembly-Positions: 1 Thickness (mm): 45 Locking: K80® Manual Max. Permissible D-Value (kN): 80,8 Max. Permissible Vertical Load (kg): 3000
Adapted for Tractor	
John Deere: 8000: 8100, 8200, 8300, 8400; 8010: 8110, 8210, 8310, 8410; 8020: 8120, 8220, 8320, 8420, 8520; 8030: 8130, 8230, 8330, 8430, 8530; 8R (Tier 3A): 8.225, 8.245, 8.270, 8.295, 8.320, 8.345; 8R (Tier 3B): 8.235, 8.260, 8.285, 8.310, 8.335, 8.360; 8RT (Tier 3A): 8.295, 8.320, 8.345; 8RT (Tier 3B): 8.310, 8.335, 8.360;	
	Art.Nr. 00.964.405.0-A17 Heavy Duty Drawbars Standard K80® Ball Coupling System
	<ul style="list-style-type: none"> Please request Technical Drawing fits to Original Drawbar Frame (ex factory)
	Alternative color  00.964.405.0-A17 (JD-Green)
	Technical Values*
	Length (mm): 1565 Wide (mm): 240 Assembly-Positions: 2 Thickness (mm): 45 Locking: K80® Manual Max. Permissible D-Value (kN): 89,3 Max. Permissible Vertical Load (kg): 3000 Offset: to the Bottom
Adapted for Tractor	
John Deere: 8020: 8120, 8220, 8320, 8420, 8520; 8030: 8130, 8230, 8330, 8430, 8530; 8R (Tier 3A): 8.225, 8.245, 8.270, 8.295, 8.320, 8.345; 8R (Tier 3B): 8.235, 8.260, 8.285, 8.310, 8.335, 8.360; 8RT (Tier 3A): 8.295, 8.320, 8.345; 8RT (Tier 3B): 8.310, 8.335, 8.360;	