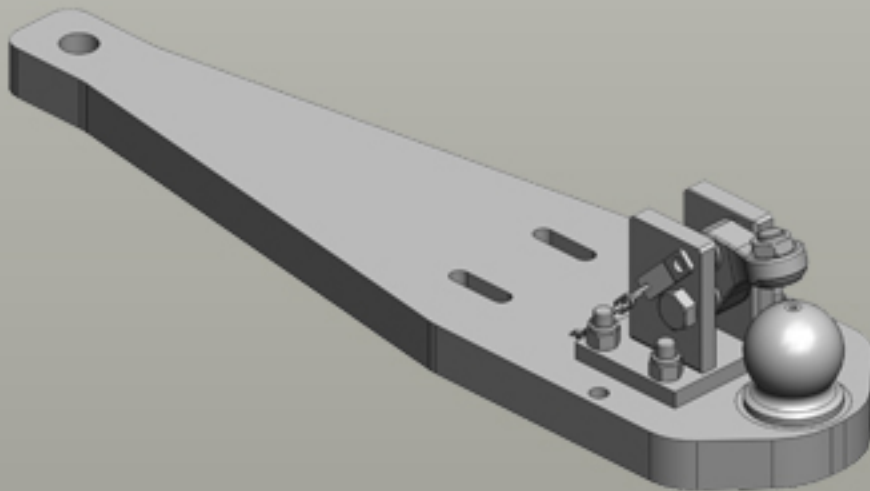
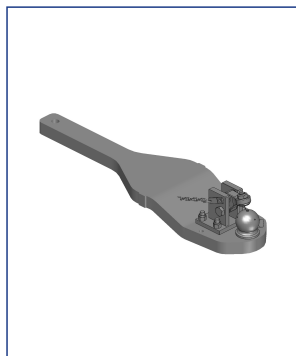




# Heavy Duty Drawbars John Deere | 6030



## Heavy Duty Drawbars



**Art.Nr. 00.960.385.0-A17 | Heavy Duty Drawbars | Standard**  
K80® Ball Coupling System |

• fits to Original Ladder Hitch (ex factory) with Drawbar Frame

**Alternative color**

00.960.385.0-A17 (JD-Green)

**Technical Values\***

**Lenght (mm):** 1003 | **Wide (mm):** 285 | **Assembly-Positions:** 1 | **Thickness (mm):** 45 | **Locking:** K80® Manual |  
**Max. Permissible D-Value (kN):** 84,1 | **Max. Permissible Vertical Load (kg):** 3000 | **Offset:** to the Bottom

**Adapted for Tractor**

**John Deere:** **6000:** 6100, 6200, 6300, 6400, 6600, 6800, 6900; **6010:** 6010, 6110, 6210, 6310, 6410, 6510, 6610, 6810, 6910; **6020:** 6020, 6120, 6220, 6320, 6420, 6520, 6620, 6820, 6920; **6030:** 6130, 6230, 6330, 6430, 6530, 6534, 6630, 6830, 6930; **7010:** 7210, 7410, 7510, 7610, 7710, 7810; **7020:** 7220, 7320, 7420, 7520; **7030:** 7130, 7230, 7330, 7430, 7530;