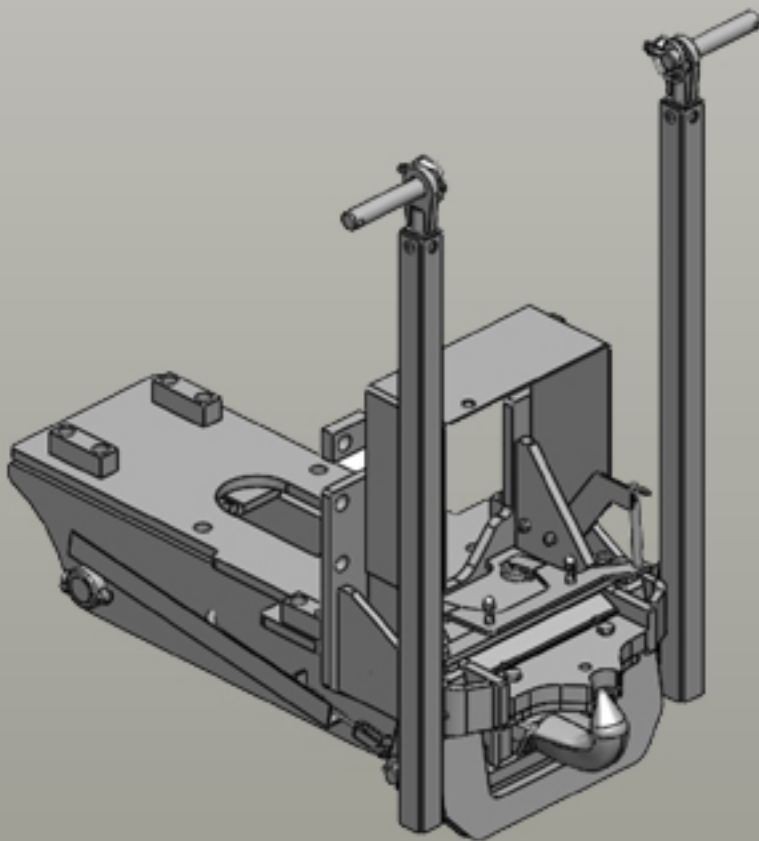




Pick-Up Hitches | Inserts K80®

Shaft Height x Width: | Shaft Height x Width: | Pick-Up Hitch Producer: fits with Saueremann



scharmüller 
ANHÄNGERKUPPLUNGEN

Pick-Up Hitches | Inserts K80®

	<p>Art.Nr. 00.426.00.3-A20 Pick-Up Hitches Inserts K80® K80® Ball Coupling System </p> <p>Alternative color </p> <p>00.426.00.3-A20 (Pöttinger-Red)</p> <p>Technical Values*</p> <p>Working Length (mm): 265 Lenght (mm): 545 Max. Permissible D-Value (kN): 89,3 Max. Permissible Vertical Load (kg): 2000 Hole Pattern/Hole Distance (mm): 125 Drilled Hole Ø (mm): 22,5 Shaft Height x Width: 70x70 Pick-Up Hitch Producer: fits with Sauermann</p> <p>Adapted for Tractor</p> <p>Fendt: Favorit-Vario 700: 711, 712, 714, 716, 718; Favorit-Vario 900: 916, 920, 924, 926; Vario 700/800: 711, 712, 714, 716, 718, 815, 816, 817, 818, 820; Vario 900: 916, 920, 922, 924, 926, 927, 930, 933, 936;</p>
	<p>Art.Nr. 00.426.11.1-A20 Pick-Up Hitches Inserts K80® K80® Ball Coupling System </p> <p>Alternative color </p> <p>00.426.11.1-A20 (Pöttinger-Red)</p> <p>Technical Values*</p> <p>Working Length (mm): 295 Lenght (mm): 528 Max. Permissible D-Value (kN): 89,3 Max. Permissible Vertical Load (kg): 2000 Hole Pattern/Hole Distance (mm): 153 Drilled Hole Ø (mm): 23 Shaft Height x Width: 70x70 Pick-Up Hitch Producer: fits with Sauermann</p> <p>Adapted for Tractor</p> <p>Case IH: Maxxum MXM: 120, 130, 140, 155, 175, 190; Maxxum MXU: 100, 110, 115, 125, 135; New Holland: TM: 115, 120, 125, 130, 135, 140, 150, 155, 165, 170, 175, 195; TS: 100, 110, 115, 90; TS-A: 100, 110, 115, 125, 135;</p>
	<p>Art.Nr. 00.428.10.0-A20 Pick-Up Hitches Inserts K80® K80® Ball Coupling System </p> <p>Alternative color </p> <p>00.428.10.0-A20 (Pöttinger-Red)</p> <p>Technical Values*</p> <p>Working Length (mm): 417 Lenght (mm): 500 Max. Permissible D-Value (kN): 94,1 Max. Permissible Vertical Load (kg): 3000 Drilled Hole Ø (mm): 25 Shaft Height x Width: 60x70 Pick-Up Hitch Producer: fits with Sauermann</p> <p>Adapted for Tractor</p> <p>John Deere: 7R (Tier 3): 7.200, 7.215, 7.230, 7.260, 7.280; 7R (Tier 4 / Stage V): 7R 250, 7R 270, 7R 290, 7R 310, 7R 330, 7R 350; 7R (Tier 4 Interim): 7.210, 7.250, 7.270, 7.290, 7.310;</p>