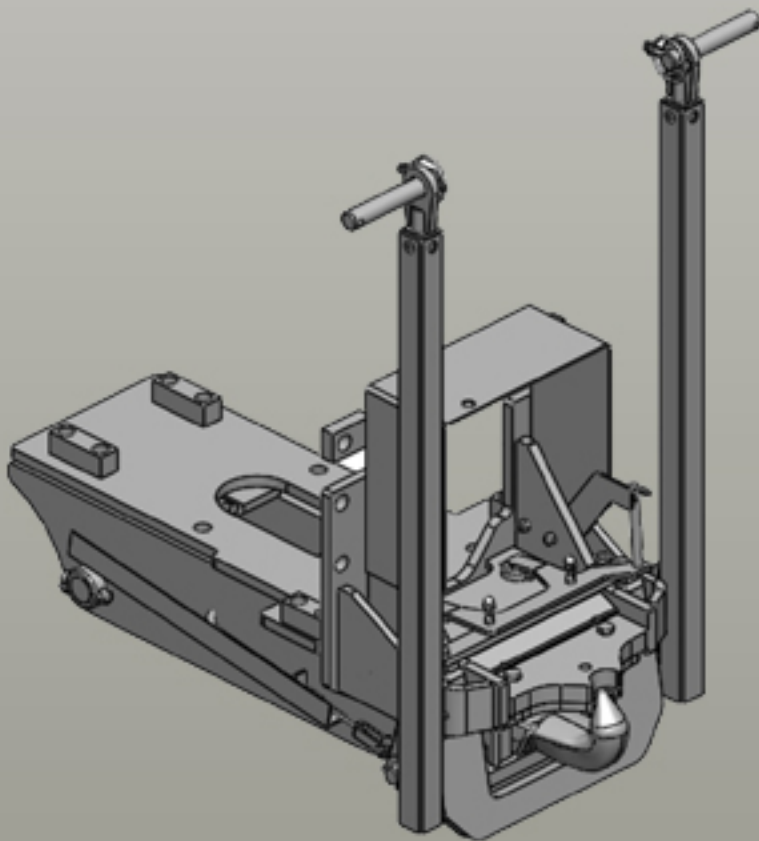




# Pick-Up Hitches | Inserts K80® Claas



## Pick-Up Hitches | Inserts K80®

	<p><b>Art.Nr. 00.421.10.2-A20   Pick-Up Hitches   Inserts K80®</b>  K80® Ball Coupling System  </p> <p><b>Alternative color</b> </p> <p>00.421.10.2-A20 (Pöttinger-Red)</p> <p><b>Technical Values*</b></p> <p><b>Working Length (mm): 210   Length (mm): 415   Max. Permissible D-Value (kN): 74  </b>  <b>Max. Permissible Vertical Load (kg): 1500   Hole Pattern/Hole Distance (mm): 114   Drilled Hole Ø (mm): 22,5  </b>  <b>Shaft Height x Width: 60x60   Pick-Up Hitch Producer: fits with Dromone</b></p> <p><b>Adapted for Tractor</b></p> <p><b>Claas:</b> Ares 500/600: 546, 547, 556, 557, 566, 567, 577, 616, 617, 656, 657, 696, 697; Arion 500 (A18): 510, 520, 530, 540; Arion 600 (A19/A20): 610, 620, 630, 640;  <b>Fendt:</b> Vario 200/300: 207, 208, 209, 210, 211, 309, 310, 311, 312;  <b>John Deere:</b> 7010: 7210, 7410, 7510, 7610, 7710, 7810; 8000: 8100, 8200, 8300, 8400;  <b>Massey Ferguson:</b> 5600 Dyna-4: 5608, 5609, 5610, 5611, 5612, 5613; 5600 Dyna-6: 5608, 5609, 5610, 5611, 5612, 5613; 7600 Dyna-6: 7615, 7616, 7618;</p>
	<p><b>Art.Nr. 00.421.11.2-A20   Pick-Up Hitches   Inserts K80®</b>  K80® Ball Coupling System  </p> <p><b>Alternative color</b> </p> <p>00.421.11.2-A20 (Pöttinger-Red)</p> <p><b>Technical Values*</b></p> <p><b>Working Length (mm): 210   Length (mm): 415   Max. Permissible D-Value (kN): 74  </b>  <b>Max. Permissible Vertical Load (kg): 1500   Hole Pattern/Hole Distance (mm): 114   Drilled Hole Ø (mm): 29  </b>  <b>Shaft Height x Width: 60x60   Pick-Up Hitch Producer: fits with Dromone</b></p> <p><b>Adapted for Tractor</b></p> <p><b>Claas:</b> Arion 600 (A19/A20): 610;</p>
	<p><b>Art.Nr. 00.429.00.2-A20   Pick-Up Hitches   Inserts K80®</b>  K80® Ball Coupling System  </p> <p><b>Alternative color</b> </p> <p>00.429.00.2-A20 (Pöttinger-Red)</p> <p><b>Technical Values*</b></p> <p><b>Working Length (mm): 360   Length (mm): 445   Max. Permissible D-Value (kN): 89,3  </b>  <b>Max. Permissible Vertical Load (kg): 2000   Drilled Hole Ø (mm): 30,5   Shaft Height x Width: 70x80  </b>  <b>Pick-Up Hitch Producer: fits with Dromone</b></p> <p><b>Adapted for Tractor</b></p> <p><b>Claas:</b> Axion 800 (A30/A31), Axion 800 (A40/A41), Axion 800 (A60/A61), Axion 900 (A23), Axion 900 (A44)  <b>Fendt:</b> Vario 700/800, Vario 900  <b>John Deere:</b> 8030, 8R (Tier 3A), 8R (Tier 3B)  <b>Massey Ferguson:</b> 6400 Dyna-4 (Tier 2), 6400 Dyna-6 (Tier 3), 7465-7499, 7600 Dyna-6, 7600 Dyna-VT, 8200, 8400, 8600, 8700 Dyna-VT  <b>McCormick:</b> MTX  <b>Valtra:</b> N4-Serie, S2-Serie, S3-Serie, S4-Serie, T4-Serie</p>