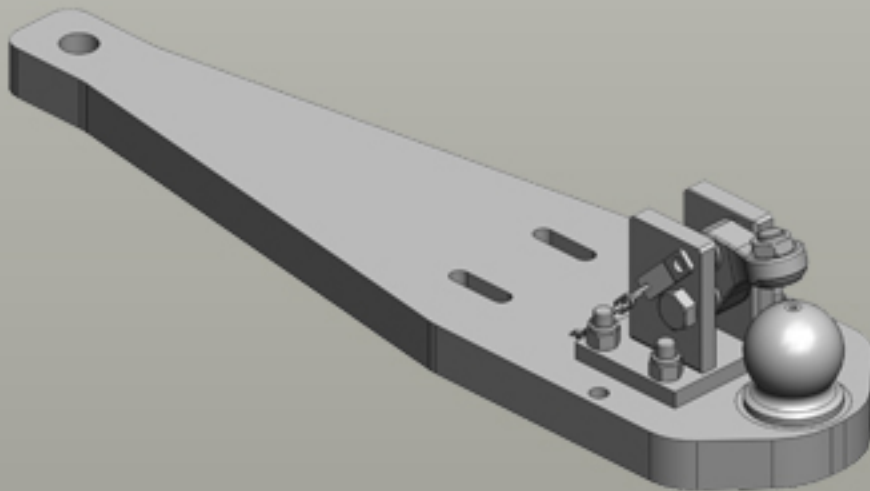




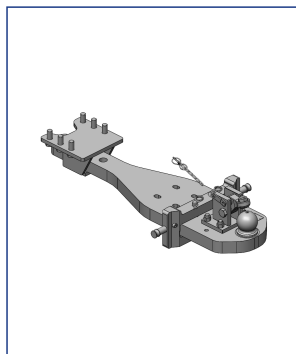
Heavy Duty Drawbars

John Deere | 6R 6.175 - 6.215 (Tier 4 Final) MY18



scharmüller 
ANHÄNGERKUPPLUNGEN

Heavy Duty Drawbars



Art.Nr. 00.960.387.0-SET-A17 Heavy Duty Drawbars Standard	
K80® Ball Coupling System Assembly Dimension Scharmüller S32 (390/25/32)	
• fits to Scharmüller & Sauermann Standard Ladder Hitch W390	
Alternative color	
00.960.387.0-SET-A17 (JD-Green)	
Technical Values*	
Length (mm): 1070 Wide (mm): 270 Assembly-Positions: 2 Thickness (mm): 50 Locking: K80® Manual Max. Permissible D-Value (kN): 90 Max. Permissible Vertical Load (kg): 3000	
Adapted for Tractor	
John Deere:	6R 175 - 215 (Tier 4 / Stage V): 6R 175, 6R 195, 6R 215; 6R 6.175 - 6.215 (Tier 4 Final) MY18: 6.175, 6.195, 6.215;