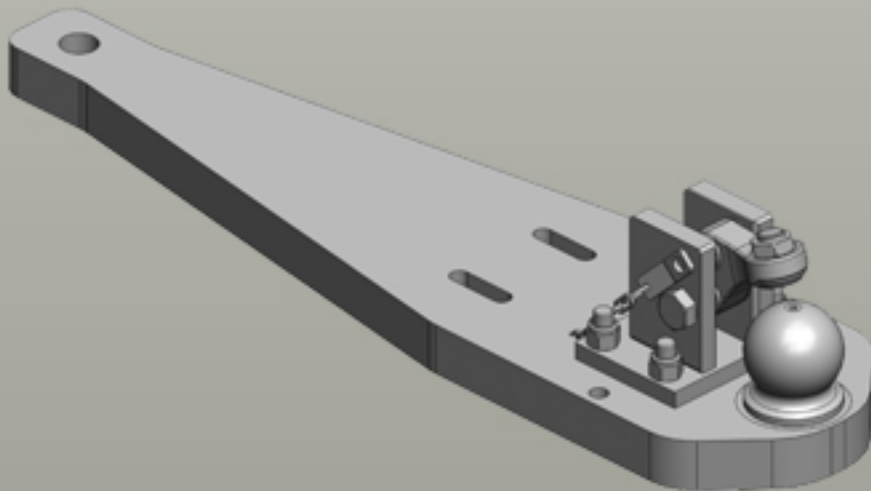
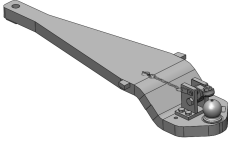

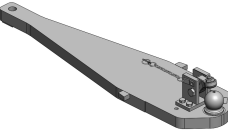

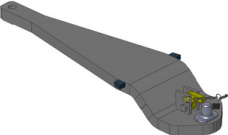




Heavy Duty Drawbars Case IH | Magnum 8900



Heavy Duty Drawbars

	<p>Art.Nr. 00.960.501.1-A02 Heavy Duty Drawbars Standard K80® Ball Coupling System </p> <ul style="list-style-type: none"> fits to Original Ladder Hitch (ex factory) with Drawbar Frame <p>Alternative color </p> <p>00.960.501.1-A02 (Black)</p> <p>Technical Values*</p> <p>Lenght (mm): 1263 Wide (mm): 296 Assembly-Positions: 1 Thickness (mm): 50 Locking: K80® Manual Max. Permissible D-Value (kN): 82,4 Max. Permissible Vertical Load (kg): 3000 Offset: to the Bottom</p> <p>Adapted for Tractor</p> <p>Case IH: Magnum 7100/7200: 7110, 7120, 7130, 7140, 7150, 7210, 7220, 7230, 7240, 7250; Magnum 8900: 8910, 8920, 8930, 8940, 8950;</p>
	<p>Art.Nr. 00.960.502.0-A02 Heavy Duty Drawbars Standard K80® Ball Coupling System </p> <ul style="list-style-type: none"> fits to Original Ladder Hitch (ex factory) with Drawbar Frame <p>Alternative color </p> <p>00.960.502.0-A02 (Black)</p> <p>Technical Values*</p> <p>Lenght (mm): 1263 Wide (mm): 296 Assembly-Positions: 1 Thickness (mm): 50 Locking: K80® Manual Max. Permissible D-Value (kN): 82,4 Max. Permissible Vertical Load (kg): 3000</p> <p>Adapted for Tractor</p> <p>Case IH: Magnum 7100/7200: 7130, 7140, 7150, 7230, 7240, 7250; Magnum 8900: 8930, 8940, 8950;</p>
	<p>Art.Nr. 00.961.501.1-A02 Heavy Duty Drawbars Standard Draw-Pin (Pitonfix) </p> <ul style="list-style-type: none"> fits to Original Ladder Hitch (ex factory) with Drawbar Frame <p>Alternative color </p> <p>00.961.501.1-A02 (Black)</p> <p>Technical Values*</p> <p>Lenght (mm): 1263 Wide (mm): 296 Assembly-Positions: 1 Thickness (mm): 50 Locking: Draw Pin (Pitonfix) Manual Max. Permissible D-Value (kN): 82,4 Max. Permissible Vertical Load (kg): 3000 Offset: to the Bottom</p> <p>Adapted for Tractor</p> <p>Case IH: Magnum 7100/7200: 7110, 7120, 7130, 7140, 7150, 7210, 7220, 7230, 7240, 7250; Magnum 8900: 8910, 8920, 8930, 8940, 8950;</p>