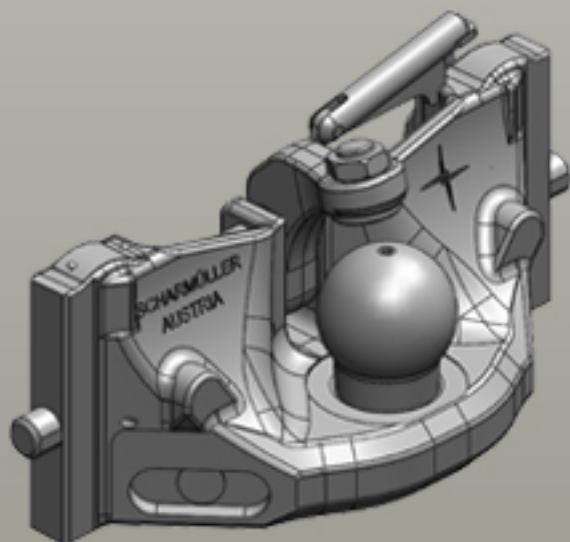


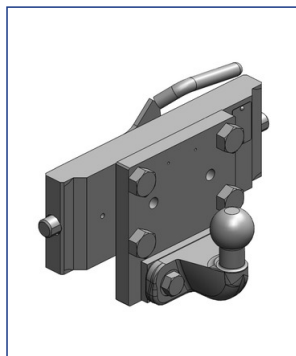


Inserts for Ladder Hitches

Assembly Dimension Carpenfer (320/22/29)



Inserts for Ladder Hitches



Art.Nr. 03.7319.00-A02 | Inserts for Ladder Hitches | Coupling Inserts

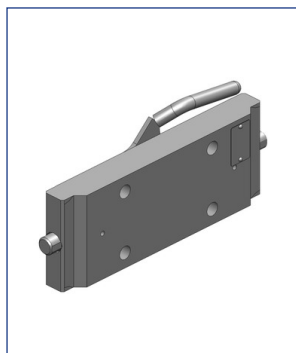
ISO 50 (Car) | Assembly Dimension Carpenfer (320/22/29)

Alternative color

03.7319.00-A02 (Black)

Technical Values*

Thread: M16 | Working Length (mm): 125 | Adapter Plate Height (mm): 120 | Max. Permissible D-Value (kN): 17 | Max. Permissible Vertical Load (kg): 200 | • Height Adjustable with Grabhandle



Art.Nr. 03.7319.52-A02 | Inserts for Ladder Hitches | Adapter Plates

Assembly Dimension Carpenfer (320/22/29)

Alternative color

03.7319.52-A02 (Black)

Technical Values*

Flange Hole Pattern (mm): 140x80 | Thread: M20 | Hole Pattern Holes: 4 | Adapter Plate Height (mm): 120 | Max. Permissible D-Value (kN): 83,9 | Max. Permissible Vertical Load (kg): 2000 | • Height Adjustable with Grabhandle