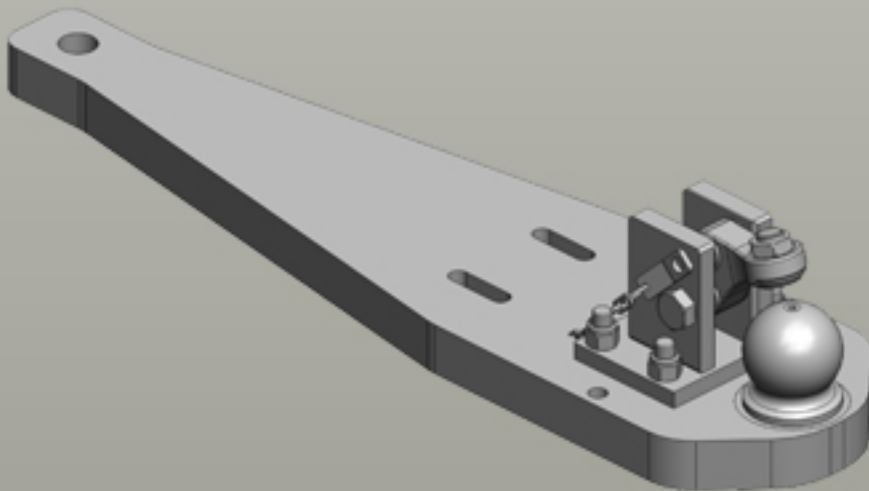
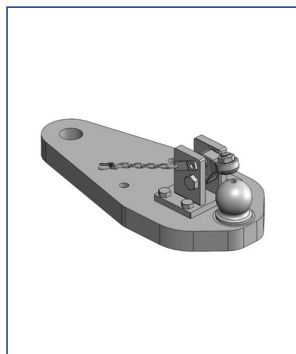




# Heavy Duty Drawbars Belarus



## Heavy Duty Drawbars



**Art.Nr. 00.960.230.0-A02 | Heavy Duty Drawbars | Standard**  
K80® Ball Coupling System |

• fits to Original Ladder Hitch (ex factory) with Drawbar Frame

**Alternative color** 

00.960.230.0-A02 (Black)

**Technical Values\***

**Length (mm):** 615 | **Wide (mm):** 280 | **Assembly-Positions:** 1 | **Thickness (mm):** 50 | **Locking:** K80® Manual |  
**Max. Permissible D-Value (kN):** 102 | **Max. Permissible Vertical Load (kg):** 4000

**Adapted for Tractor**

**Belarus:**                      **MTZ:** 3522;