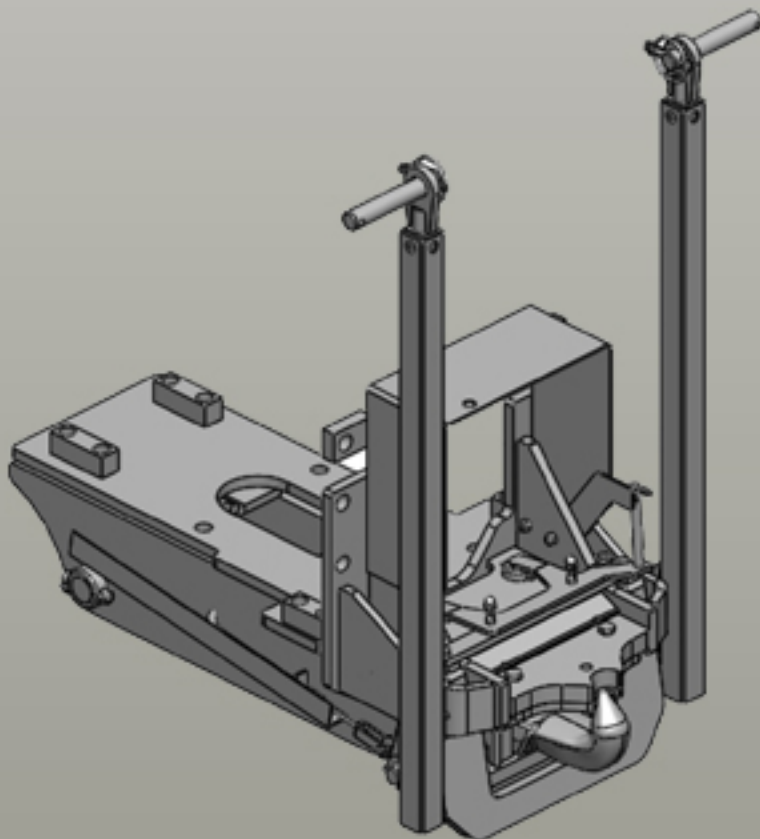
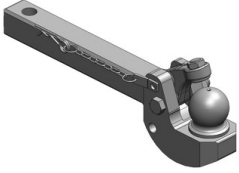

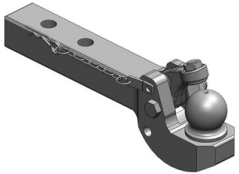





Pick-Up Hitches | Inserts K80® JCB-Fastrac



Pick-Up Hitches | Inserts K80®

	Art.Nr. 00.421.13.0-A20 Pick-Up Hitches Inserts K80® K80® Ball Coupling System
	Alternative color 
	00.421.13.0-A20 (Pöttinger-Red)
	Technical Values*
	Working Length (mm): 495 Lenght (mm): 590 Max. Permissible D-Value (kN): 74 Max. Permissible Vertical Load (kg): 1500 Drilled Hole Ø (mm): 30,5 Shaft Height x Width: 60x60 Pick-Up Hitch Producer: fits with Dromone
	Art.Nr. 00.429.10.0-A20 Pick-Up Hitches Inserts K80® K80® Ball Coupling System
	Alternative color 
	00.429.10.0-A20 (Pöttinger-Red)
	Technical Values*
	Working Length (mm): 320 Lenght (mm): 550 Max. Permissible D-Value (kN): 89,3 Max. Permissible Vertical Load (kg): 3000 Hole Pattern/Hole Distance (mm): 98 Drilled Hole Ø (mm): 30,5 Shaft Height x Width: 70x80 Pick-Up Hitch Producer: fits with Dromone
Adapted for Tractor	
JCB-Fastrac: 2000: 2115, 2125, 2135, 2140, 2150, 2155, 2170; 3000: 3155, 3170, 3185, 3190, 3200, 3220, 3230;	