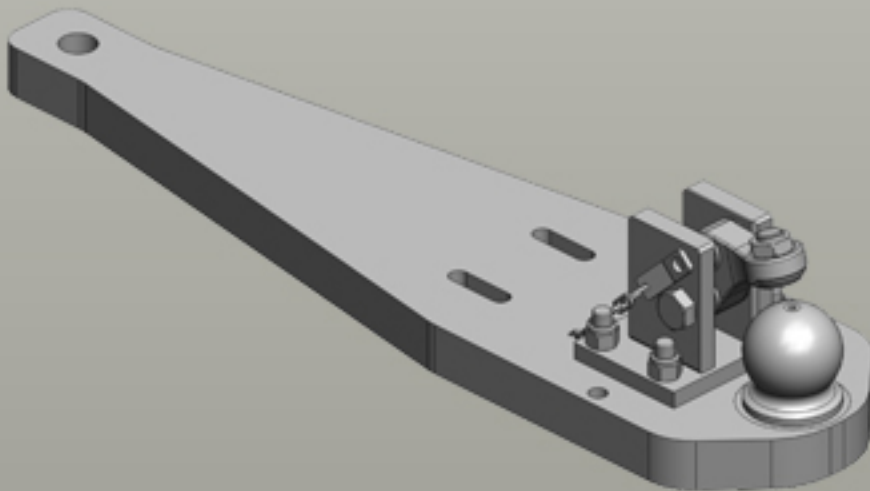


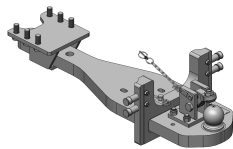


Heavy Duty Drawbars

John Deere | 6R 230 - 250 (Tier 4 / Stage V)



Heavy Duty Drawbars



Art.Nr. 00.960.388.0-SET-A17 | Heavy Duty Drawbars | Standard

K80® Ball Coupling System | Assembly Dimension Scharmüller S32 (390/25/32)

- fits to Scharmüller & Sauermann Standard Ladder Hitch W390

Alternative color

00.960.388.0-SET-A17 (JD-Green)

Technical Values*

Length (mm): 1070 | **Wide (mm):** 270 | **Assembly-Positions:** 2 | **Thickness (mm):** 50 | **Locking:** K80® Manual |
Max. Permissible D-Value (kN): 90 | **Max. Permissible Vertical Load (kg):** 3000

Adapted for Tractor

John Deere: 6R 230 - 250 (Tier 4 / Stage V); 6R 230, 6R 250; 6R 6.230 - 6.250 (Tier 4 Final) MY18: 6.230, 6.250;