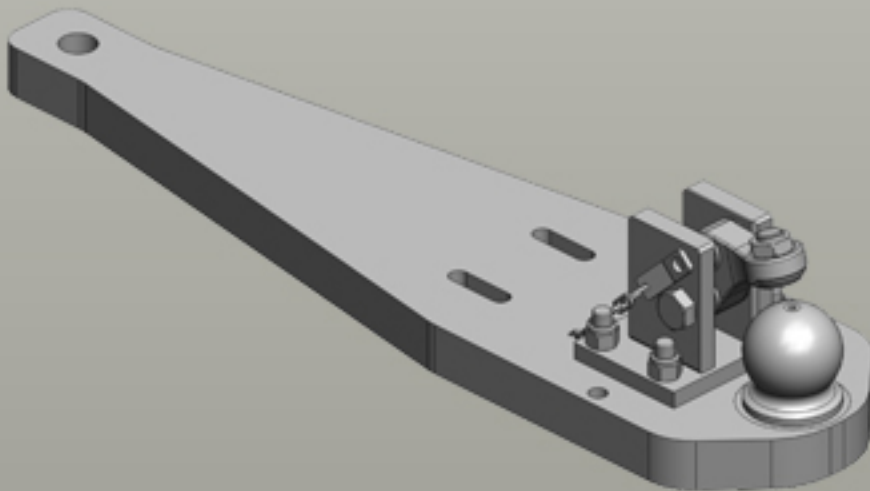




# Heavy Duty Drawbars Massey Ferguson | 4700



## Heavy Duty Drawbars

	<p><b>Art.Nr. 00.960.646.0-A11   Heavy Duty Drawbars   Standard</b>  K80® Ball Coupling System  </p> <ul style="list-style-type: none"> <li>fits to Original Ladder Hitch (ex factory) with Drawbar Frame</li> </ul> <p><b>Alternative color</b> </p> <p>00.960.646.0-A11 (AGCO-Grey)</p> <p><b>Technical Values*</b></p> <p><b>Lenght (mm): 403   Wide (mm): 165   Assembly-Positions: 1   Thickness (mm): 35   Locking: K80® Manual   Max. Permissible D-Value (kN): 45,2   Max. Permissible Vertical Load (kg): 3000</b></p> <p><b>Adapted for Tractor</b></p> <p><b>Massey Ferguson: 4700: 4707, 4708, 4709;</b></p>
	<p><b>Art.Nr. 00.960.649.0-A11   Heavy Duty Drawbars   Standard</b>  K80® Ball Coupling System  </p> <ul style="list-style-type: none"> <li>fits to Scharmüller Ladder-Hitch with Drawbar Frame</li> </ul> <p><b>Alternative color</b> </p> <p>00.960.649.0-A11 (AGCO-Grey)</p> <p><b>Technical Values*</b></p> <p><b>Lenght (mm): 480   Wide (mm): 256   Assembly-Positions: 1   Thickness (mm): 40   Locking: K80® Manual   Max. Permissible D-Value (kN): 59,8   Max. Permissible Vertical Load (kg): 3000</b></p> <p><b>Adapted for Tractor</b></p> <p><b>Claas: Arion 400 (A32/A43): 410, 420, 430, 440, 450, 460; Arion 400 (A72/A73): 410, 420, 430, 440, 450, 460; Massey Ferguson: 4700: 4707, 4708, 4709; 5400: 5410, 5420, 5430, 5440, 5450; 5600 Dyna-4: 5608, 5609, 5610, 5611, 5612, 5613; 5600 Dyna-6: 5608, 5609, 5610, 5611, 5612, 5613; 5700(SL) Dyna-4/6: 5710, 5711, 5712, 5713; Valtra: A4-Serie: 104, 114, 124, 134, 74, 84, 94; G-Serie: 105, 115, 125, 135;</b></p>
	<p><b>Art.Nr. 00.961.171.5-A11   Heavy Duty Drawbars   Standard</b>  Draw-Pin (Pitonfix)  </p> <ul style="list-style-type: none"> <li>fits to Scharmüller Ladder-Hitch with Drawbar Frame</li> </ul> <p><b>Alternative color</b> </p> <p>00.961.171.5-A11 (AGCO-Grey)</p> <p><b>Technical Values*</b></p> <p><b>Lenght (mm): 445   Wide (mm): 220   Assembly-Positions: 1   Thickness (mm): 40   Locking: Draw Pin (Pitonfix) Manual   Max. Permissible D-Value (kN): 71,9   Max. Permissible Vertical Load (kg): 3000</b></p> <p><b>Adapted for Tractor</b></p> <p><b>Claas: Arion 400 (A32/A43): 410, 420, 430, 440, 450, 460; Arion 400 (A72/A73): 410, 420, 430, 440, 450, 460; Massey Ferguson: 4700: 4707, 4708, 4709; 5400: 5410, 5420, 5430, 5440, 5450; 5600 Dyna-4: 5608, 5609, 5610, 5611, 5612, 5613; 5600 Dyna-6: 5608, 5609, 5610, 5611, 5612, 5613; 5700(SL) Dyna-4/6: 5710, 5711, 5712, 5713; Valtra: A4-Serie: 104, 114, 124, 134, 74, 84, 94; G-Serie: 105, 115, 125, 135;</b></p>
	<p><b>Art.Nr. 00.961.646.0-A11   Heavy Duty Drawbars   Standard</b>  Draw-Pin (Pitonfix)  </p> <ul style="list-style-type: none"> <li>fits to Original Ladder Hitch (ex factory) with Drawbar Frame</li> </ul> <p><b>Alternative color</b> </p> <p>00.961.646.0-A11 (AGCO-Grey)</p> <p><b>Technical Values*</b></p> <p><b>Lenght (mm): 403   Wide (mm): 165   Assembly-Positions: 1   Thickness (mm): 35   Locking: Draw Pin (Pitonfix) Manual   Max. Permissible D-Value (kN): 45,2   Max. Permissible Vertical Load (kg): 3000</b></p> <p><b>Adapted for Tractor</b></p> <p><b>Massey Ferguson: 4700: 4707, 4708, 4709;</b></p>