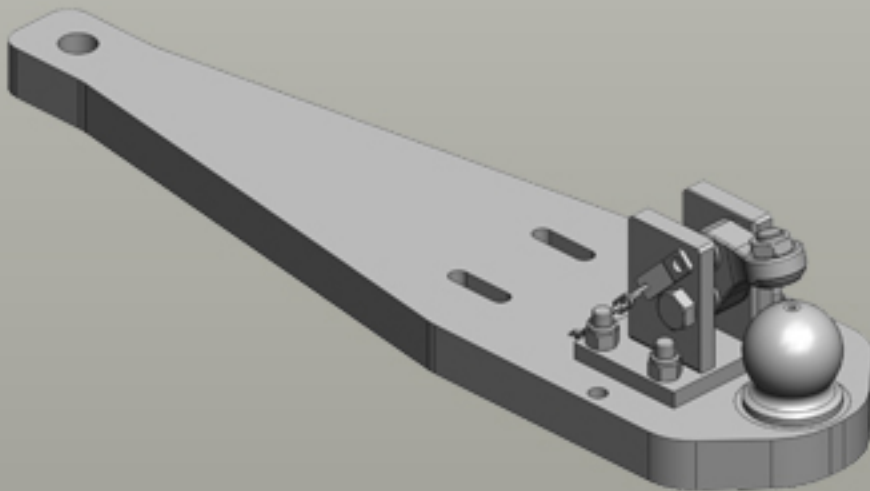


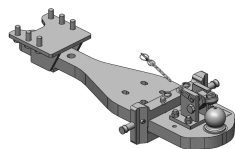


# Heavy Duty Drawbars

John Deere | 6R 175 - 215 (Tier 4 / Stage V)



## Heavy Duty Drawbars



### Art.Nr. 00.960.387.0-SET-A17 | Heavy Duty Drawbars | Standard

K80® Ball Coupling System | Assembly Dimension Scharmüller S32 (390/25/32)

• fits to Scharmüller & Sauermann Standard Ladder Hitch W390

#### Alternative color

00.960.387.0-SET-A17 (JD-Green)

#### Technical Values\*

**Length (mm):** 1070 | **Wide (mm):** 270 | **Assembly-Positions:** 2 | **Thickness (mm):** 50 | **Locking:** K80® Manual |  
**Max. Permissible D-Value (kN):** 90 | **Max. Permissible Vertical Load (kg):** 3000

#### Adapted for Tractor

**John Deere:** 6R 175 - 215 (Tier 4 / Stage V): 6R 175, 6R 195, 6R 215; 6R 6.175 - 6.215 (Tier 4 Final) MY18: 6.175, 6.195, 6.215;