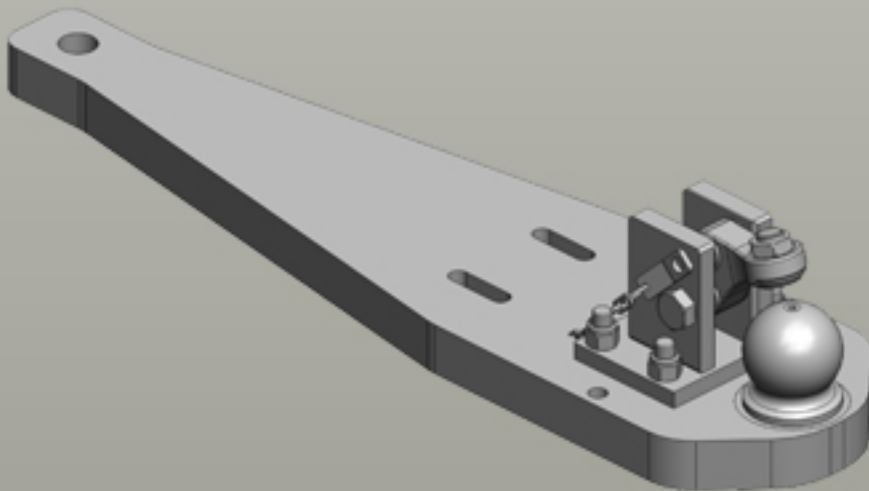
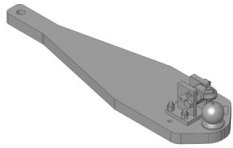





Heavy Duty Drawbars New Holland | 8070



Heavy Duty Drawbars

	Art.Nr. 00.960.580.1-A02 Heavy Duty Drawbars Standard K80® Ball Coupling System
	<ul style="list-style-type: none"> fits to Original Ladder Hitch (ex factory) with Drawbar Frame
	Alternative color  00.960.580.1-A02 (Black)
	Technical Values*
	Lenght (mm): 1065 Wide (mm): 285 Assembly-Positions: 1 Thickness (mm): 45 Locking: K80® Manual Max. Permissible D-Value (kN): 84,1 Max. Permissible Vertical Load (kg): 3000
	Adapted for Tractor
Ford: 8070: 8670, 8770, 8870, 8970; New Holland: 8070: 8670, 8770, 8870, 8970;	