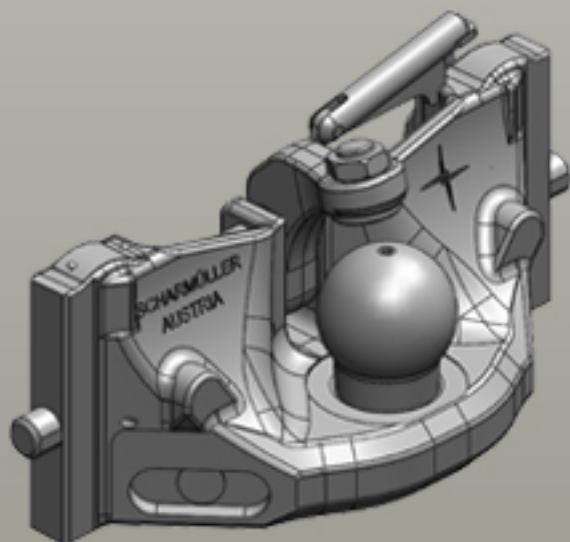




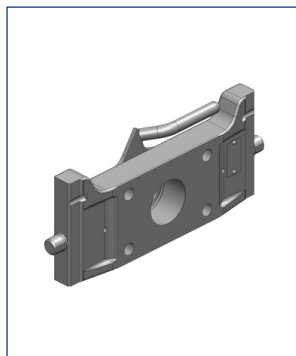
# Inserts for Ladder Hitches Assembly Dimension Cramer (322/22/30)



## Inserts for Ladder Hitches

	<p><b>Art.Nr. 05.6322.16-A02   Inserts for Ladder Hitches   Coupling Inserts</b>  Draw-Pin (Pitonfix)   Assembly Dimension Cramer (322/22/30)</p> <p><b>Alternative color</b> </p> <p>05.6322.16-A02 (Black )</p> <p><b>Technical Values*</b></p> <p><b>Working Length (mm): 67   Adapter Plate Height (mm): 160   Locking:</b> Draw Pin (Pitonfix) Manual    <b>Max. Permissible D-Value (kN): 89,3   Max. Permissible Vertical Load (kg): 3000</b>   • Pluggable with Bolt</p>
	<p><b>Art.Nr. 05.6322.51-A02   Inserts for Ladder Hitches   Coupling Inserts</b>  K80® Ball Coupling System   Assembly Dimension Cramer (322/22/30)</p> <p><b>Alternative color</b> </p> <p>05.6322.51-A02 (Black )</p> <p><b>Technical Values*</b></p> <p><b>Working Length (mm): 57   Adapter Plate Height (mm): 160   Locking:</b> K80® Manual   <b>Max. Permissible D-Value (kN): 89,3   Max. Permissible Vertical Load (kg): 4000</b>   • Pluggable with Bolt</p>
	<p><b>Art.Nr. 07.6322.32-A11   Inserts for Ladder Hitches   Coupling Inserts</b>  Draw-Pin (Pitonfix)   Assembly Dimension Cramer (322/22/30)</p> <p><b>Alternative color</b> </p> <p>07.6322.32-A11 (AGCO-Grey)</p> <p><b>Technical Values*</b></p> <p><b>Thread: M20   Working Length (mm): 155   Adapter Plate Height (mm): 150   Locking:</b> Draw Pin (Pitonfix) Manual    <b>Max. Permissible D-Value (kN): 89,3   Max. Permissible Vertical Load (kg): 3000</b>   • Height Adjustable with Grabhandle</p>
	<p><b>Art.Nr. 07.6322.42-A02   Inserts for Ladder Hitches   Coupling Inserts</b>  K80® Ball Coupling System   Assembly Dimension Cramer (322/22/30)</p> <p><b>Alternative color</b> </p> <p>07.6322.42-A02 (Black )   07.6322.42-A11 (AGCO-Grey)</p> <p><b>Technical Values*</b></p> <p><b>Thread: M20   Working Length (mm): 155   Adapter Plate Height (mm): 150   Locking:</b> K80® Manual    <b>Max. Permissible D-Value (kN): 89,3   Max. Permissible Vertical Load (kg): 3000</b>   • Height Adjustable with Grabhandle</p>
	<p><b>Art.Nr. 07.7322.02-A02   Inserts for Ladder Hitches   Coupling Inserts</b>  ISO 50 (Car)   Assembly Dimension Cramer (322/22/30)</p> <p><b>Alternative color</b> </p> <p>07.7322.02-A02 (Black )</p> <p><b>Technical Values*</b></p> <p><b>Thread: M20   Working Length (mm): 125   Adapter Plate Height (mm): 150   Max. Permissible D-Value (kN): 17  </b>  <b>Max. Permissible Vertical Load (kg): 200</b>   • Height Adjustable with Grabhandle</p>

## Inserts for Ladder Hitches



Art.Nr. 07.7322.52-A02 | Inserts for Ladder Hitches | Adapter Plates

Assembly Dimension Cramer (322/22/30)

Alternative color 

07.7322.52-A02 (Black ) | 07.7322.52-A11 (AGCO-Grey)

Technical Values\*

**Flange Hole Pattern (mm):** 140x80 | **Thread:** M20 | **Hole Pattern Holes:** 4 | **Adapter Plate Height (mm):** 150 |  
**Max. Permissible D-Value (kN):** 89,3 | **Max. Permissible Vertical Load (kg):** 3000 | • Height Adjustable with Grabhandle