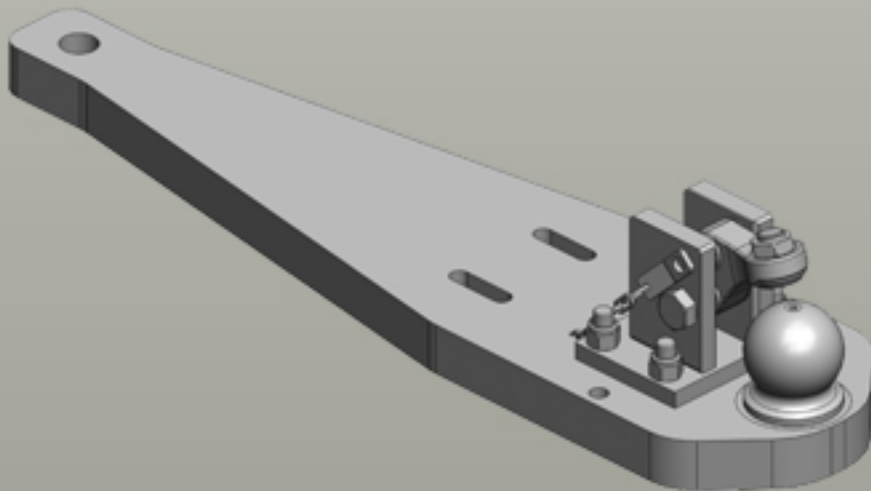
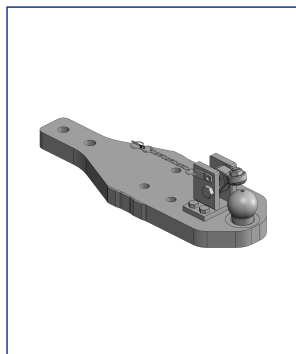




Heavy Duty Drawbars Claas | Arion 500 (A94/A95)



Heavy Duty Drawbars



Art.Nr. 00.960.440.0-A29 | Heavy Duty Drawbars | Standard
K80® Ball Coupling System |

• fits to Scharmüller Ladder-Hitch with Drawbar Frame

Alternative color

00.960.440.0-A29 (Claas-Grey)

Technical Values*

Working Length (mm): 142 | **Lenght (mm):** 770 | **Wide (mm):** 258 | **Assembly-Positions:** 2 | **Thickness (mm):** 50 |
Locking: K80® Manual | **Max. Permissible D-Value (kN):** 89,3 | **Max. Permissible Vertical Load (kg):** 4000

Adapted for Tractor

Claas: **Arion 500 (A34/A35):** 530, 540, 550; **Arion 500 (A74/A75):** 510, 530, 540, 550; **Arion 500 (A94/A95):** 510, 530, 550; **Arion 600 (A36/A37):** 620, 630, 640, 650; **Arion 600 (A76/A77):** 610, 620, 630, 640, 650, 660; **Arion 600 (A96/A97):** 610, 630, 650, 660;
Massey Ferguson: **6600 Dyna-6:** 6613, 6614, 6615, 6616; **6700 S Dyna-6:** 6713, 6714, 6715, 6716, 6718; **7600 Dyna-6:** 7615, 7616, 7618; **7700 Dyna-6:** 7715, 7716, 7718;