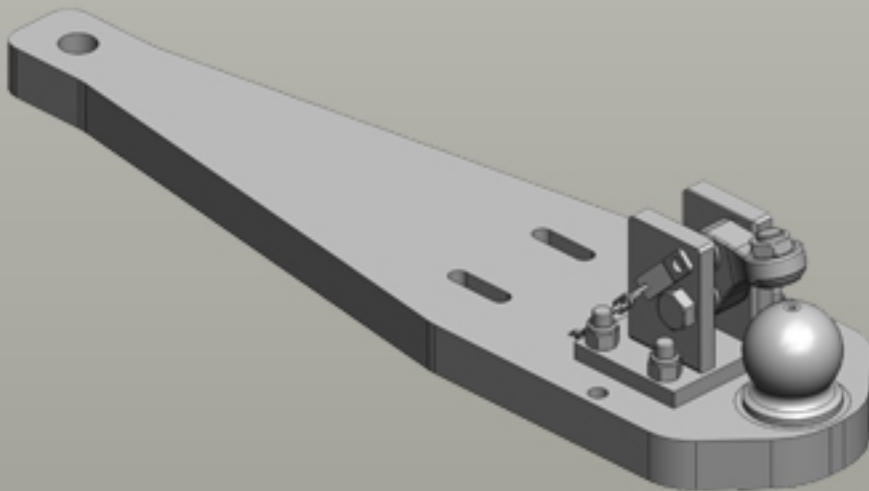
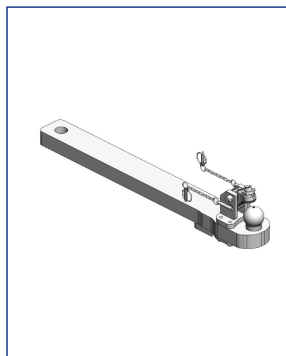




Heavy Duty Drawbars Challenger | MT 700



Heavy Duty Drawbars



Art.Nr. 00.960.571.0-A11 | Heavy Duty Drawbars | Standard
K80® Ball Coupling System |

• fits to Original Drawbar Frame (ex factory)

Alternative color

00.960.571.0-A11 (AGCO-Grey)

Technical Values*

Working Length (mm): 272 | **Lenght (mm):** 1155 | **Wide (mm):** 120 | **Assembly-Positions:** 1 | **Thickness (mm):** 60 |
Locking: K80® Manual | **Max. Permissible D-Value (kN):** 120 | **Max. Permissible Vertical Load (kg):** 4000

Adapted for Tractor

Challenger: MT 700: 738, 740, 743;
Fendt: Vario MT 900: 938, 940, 943;