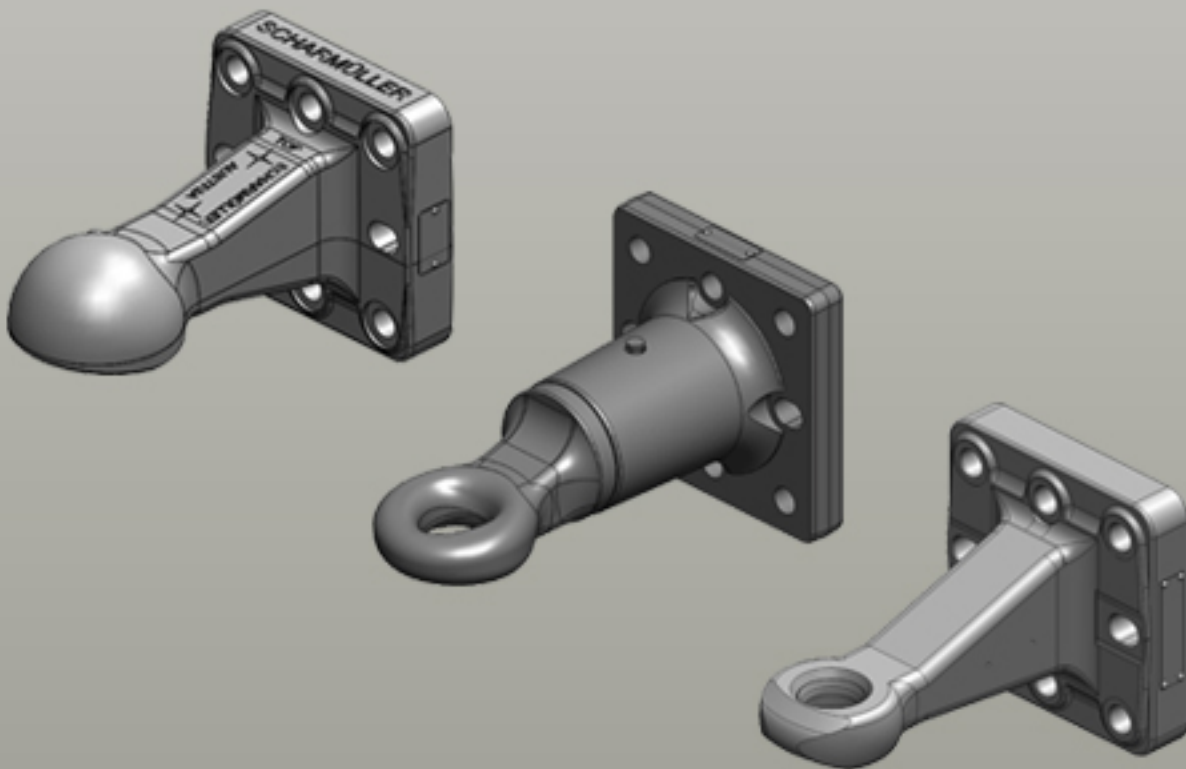


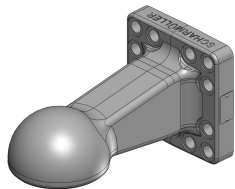


Towing Eyes | Flange

K110 Towing Eye Ball-Coupling System



Towing Eyes | Flange



Art.Nr. 00.668.91.0-A02 | Towing Eyes | Flange

K110 Towing Eye Ball-Coupling System |

Alternative color 

00.668.91.0-A02 (Black)

Technical Values*

Flange Hole Pattern (mm): 160x160 | **Thread:** M20 | **Hole Pattern Holes:** 12 | **Flange Alignment:** Vertical |
Working Length (mm): 285 | **Max. Permissible D-Value (kN):** 125 | **Max. Permissible Vertical Load (kg):** 8000 |
Approval Status: ABG General Type Approval