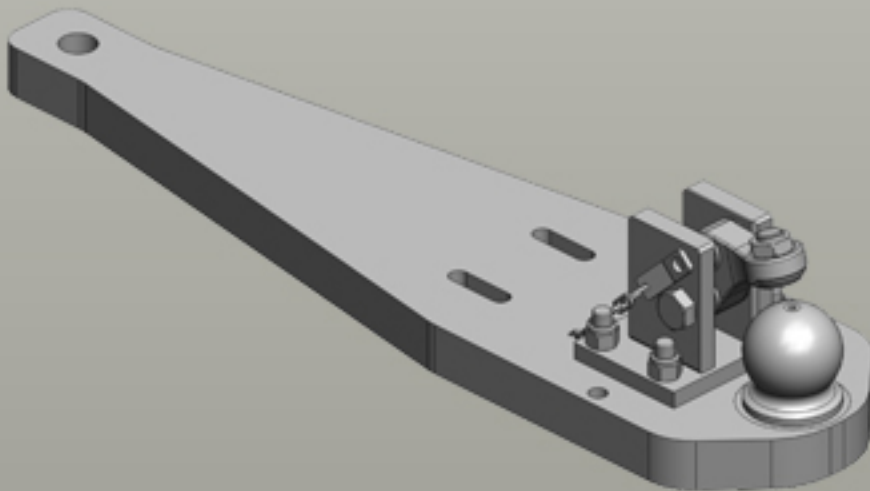
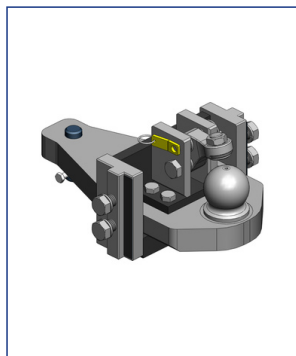




Heavy Duty Drawbars Massey Ferguson | 6100



Heavy Duty Drawbars



Art.Nr. 00.960.371.0-A11 | Heavy Duty Drawbars | Standard

K80® Ball Coupling System |

- fits to Cramer Ladder Hitch (ex factory) with wide of 309mm (Assembly Dimension 309/22/30) |
- does not fit with Cramer Halfmoon-System

Alternative color

00.960.371.0-A11 (AGCO-Grey)

Technical Values*

Lenght (mm): 475 | **Wide (mm):** 309 | **Assembly-Positions:** 1 | **Thickness (mm):** 45 | **Locking:** K80® Manual |

Max. Permissible D-Value (kN): 74 | **Max. Permissible Vertical Load (kg):** 3000

Adapted for Tractor

Massey Ferguson: **3000:** 3050, 3055, 3060, 3065, 3070, 3075, 3080, 3085, 3090, 3095; **3100:** 3115, 3120, 3125; **6100:** 6110, 6120, 6130, 6140, 6150, 6160, 6170, 6180, 6190;