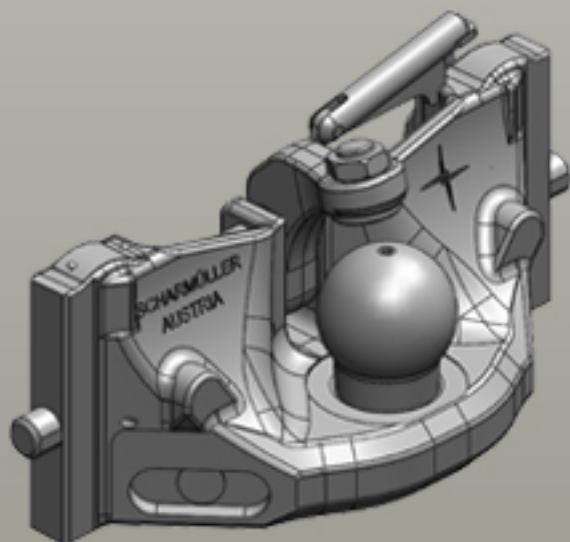


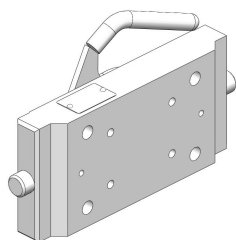


Inserts for Ladder Hitches

Assembly Dimension Archetti (250/22/28)



Inserts for Ladder Hitches



Art.Nr. 03.7250.40-A02 | Inserts for Ladder Hitches | Adapter Plates

Assembly Dimension Archetti (250/22/28)

Additional Hole Pattern 83x56 M10

Alternative color 

03.7250.40-A02 (Black)

Technical Values*

Flange Hole Pattern (mm): 140x80 | **Thread:** M16 | **Hole Pattern Holes:** 8 | **Adapter Plate Height (mm):** 120 |
Max. Permissible D-Value (kN): 89,3 | **Max. Permissible Vertical Load (kg):** 2000 | • Height Adjustable with Grabhandle