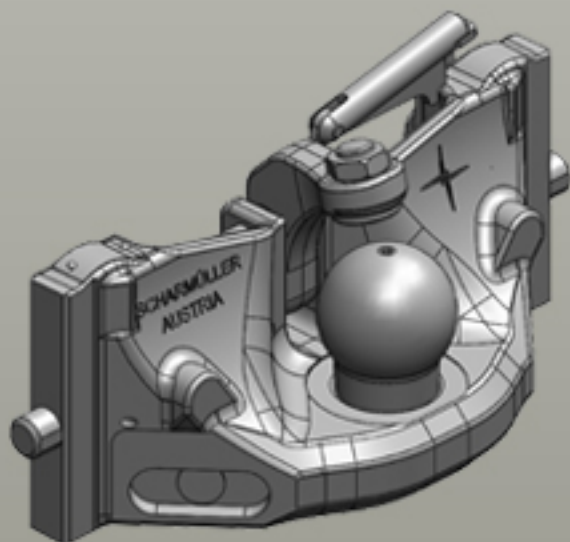




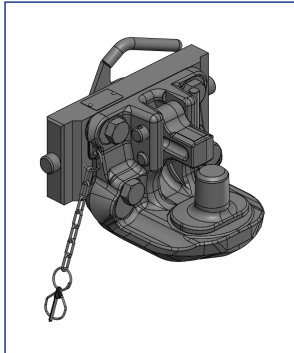
Inserts for Ladder Hitches

Assembly Dimension Scharmüller S32 (270/25/32)

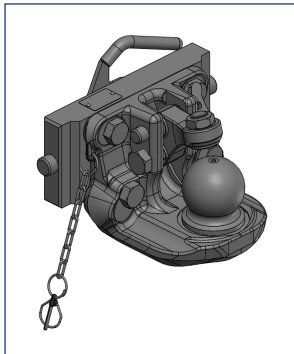


scharmüller 
ANHÄNGERKUPPLUNGEN

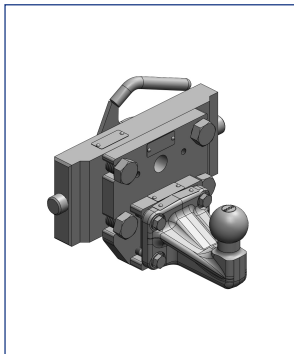
Inserts for Ladder Hitches



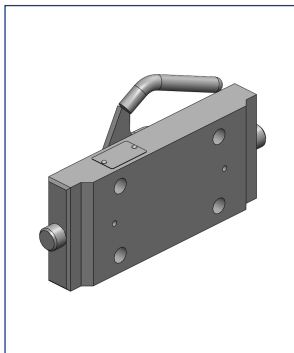
Art.Nr. 03.6270.32-A16 Inserts for Ladder Hitches Coupling Inserts Draw-Pin (Pitonfix) Assembly Dimension Scharmüller S32 (270/25/32)
Alternative color 03.6270.32-A16 (Kubota-Grey)
Technical Values* Thread: M20 Working Length (mm): 154 Adapter Plate Height (mm): 120 Locking: Draw Pin (Pitonfix) Manual Max. Permissible D-Value (kN): 89,3 Max. Permissible Vertical Load (kg): 2000 • Height Adjustable with Grabhandle



Art.Nr. 03.6270.42-A16 Inserts for Ladder Hitches Coupling Inserts K80® Ball Coupling System Assembly Dimension Scharmüller S32 (270/25/32)
Alternative color 03.6270.42-A16 (Kubota-Grey)
Technical Values* Thread: M20 Working Length (mm): 154 Adapter Plate Height (mm): 120 Locking: K80® Manual Max. Permissible D-Value (kN): 89,3 Max. Permissible Vertical Load (kg): 2000 • Height Adjustable with Grabhandle



Art.Nr. 03.7270.02-A16 Inserts for Ladder Hitches Coupling Inserts ISO 50 (Car) Assembly Dimension Scharmüller S32 (270/25/32)
Alternative color 03.7270.02-A16 (Kubota-Grey)
Technical Values* Thread: M10 / M20 Working Length (mm): 167 Adapter Plate Height (mm): 120 Max. Permissible D-Value (kN): 31 Max. Permissible Vertical Load (kg): 250 • Height Adjustable with Grabhandle



Art.Nr. 03.7270.42-A16 Inserts for Ladder Hitches Adapter Plates Assembly Dimension Scharmüller S32 (270/25/32)
Alternative color 03.7270.42-A16 (Kubota-Grey)
Technical Values* Flange Hole Pattern (mm): 140x80 Thread: M20 Hole Pattern Holes: 4 Adapter Plate Height (mm): 120 Max. Permissible D-Value (kN): 89,3 Max. Permissible Vertical Load (kg): 2000 • Height Adjustable with Grabhandle