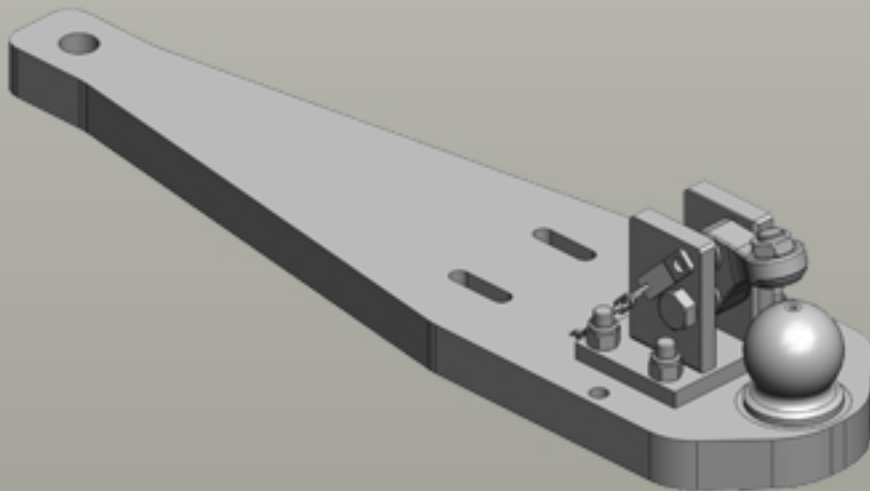
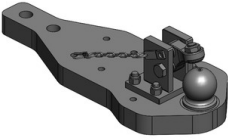

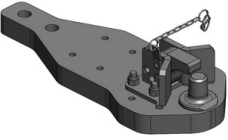





Heavy Duty Drawbars Valtra | T4-Serie



Heavy Duty Drawbars

	Art.Nr. 00.960.364.0-A11 Heavy Duty Drawbars Standard K80® Ball Coupling System
	<ul style="list-style-type: none"> • 4t Vertical Load possible in conjunction with 00.144.51.0 and single Homologation • fits to Scharmüller Ladder-Hitch with Drawbar Frame
	Alternative color  00.960.364.0-A11 (AGCO-Grey)
	Technical Values*
	Lenght (mm): 670 Wide (mm): 280 Assembly-Positions: 2 Thickness (mm): 50 Locking: K80® Manual Max. Permissible D-Value (kN): 89,3 Max. Permissible Vertical Load (kg): 3000
Adapted for Tractor	
Valtra: N4-Serie: 104, 114E, 124, 134, 154E, 174; T4-Serie : 144, 154, 174, 174Eco, 194, 214, 234;	
	Art.Nr. 00.961.364.0-A11 Heavy Duty Drawbars Standard Draw-Pin (Pitonfix)
	<ul style="list-style-type: none"> • fits to Scharmüller Ladder-Hitch with Drawbar Frame
	Alternative color  00.961.364.0-A11 (AGCO-Grey)
	Technical Values*
	Lenght (mm): 670 Wide (mm): 280 Assembly-Positions: 2 Thickness (mm): 50 Locking: Draw Pin (Pitonfix) Manual Max. Permissible D-Value (kN): 89,3 Max. Permissible Vertical Load (kg): 3000
Adapted for Tractor	
Valtra: N4-Serie: 104, 114E, 124, 134, 154E, 174; T4-Serie : 144, 154, 174, 174Eco, 194, 214, 234;	