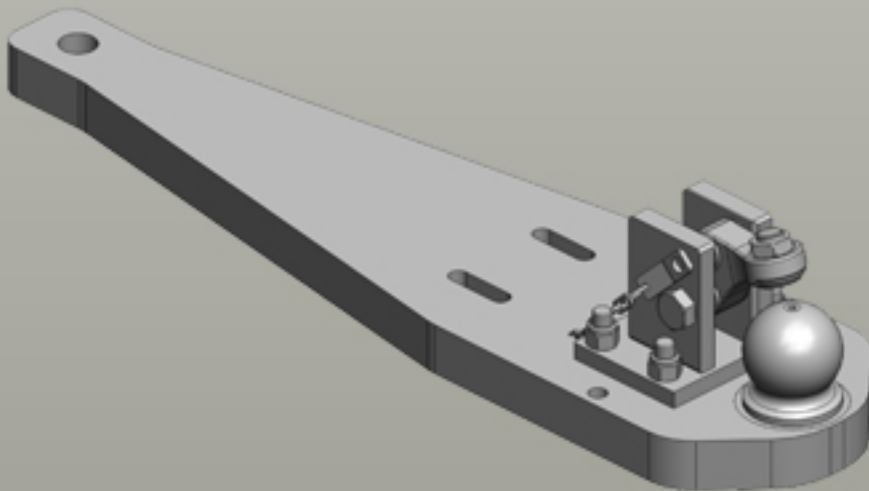
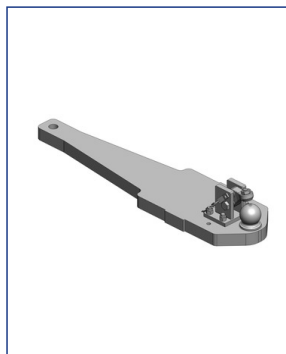




Heavy Duty Drawbars Case IH | Magnum MX



Heavy Duty Drawbars



Art.Nr. 00.960.520.0-A02 | Heavy Duty Drawbars | Standard
K80® Ball Coupling System |

• fits to Cramer Ladder-Hitch (ex factory)

Alternative color

00.960.520.0-A02 (Black)

Technical Values*

Length (mm): 1120 | **Wide (mm):** 292 | **Assembly-Positions:** 1 | **Thickness (mm):** 50 | **Locking:** K80® Manual |
Max. Permissible D-Value (kN): 84,1 | **Max. Permissible Vertical Load (kg):** 3000

Adapted for Tractor

Case IH: **Magnum MX:** 180, 200, 220, 240, 270;