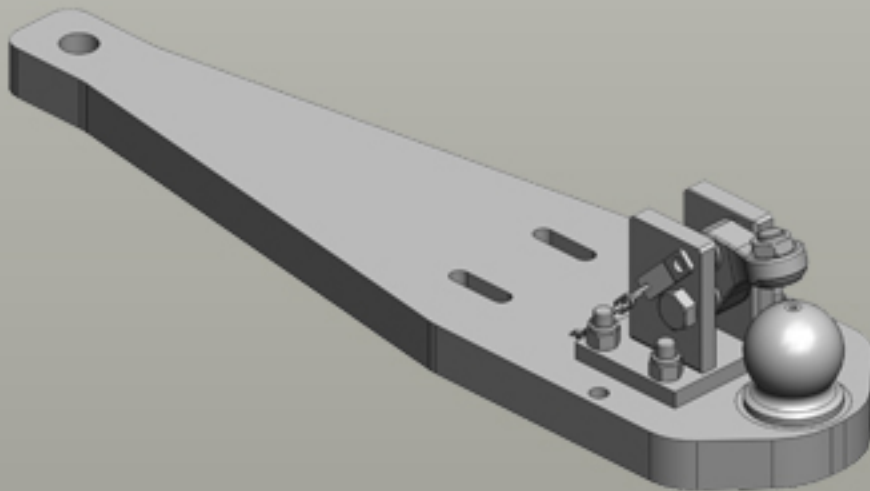
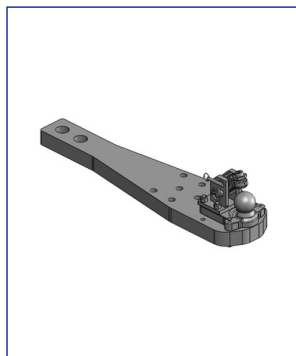




Heavy Duty Drawbars Challenger | MT 700 E



Heavy Duty Drawbars



Art.Nr. 00.964.571.0-A02 | Heavy Duty Drawbars | Standard
K80® Ball Coupling System |

• fits to Original Drawbar Frame (ex factory)

Alternative color

00.964.571.0-A02 (Black)

Technical Values*

Lenght (mm): 1060 | **Wide (mm):** 250 | **Assembly-Positions:** 2 | **Thickness (mm):** 60 | **Locking:** K80® Manual |
Max. Permissible D-Value (kN): 91,3 | **Max. Permissible Vertical Load (kg):** 4000

Adapted for Tractor

Challenger: **MT 700 E:** 755, 765, 775;