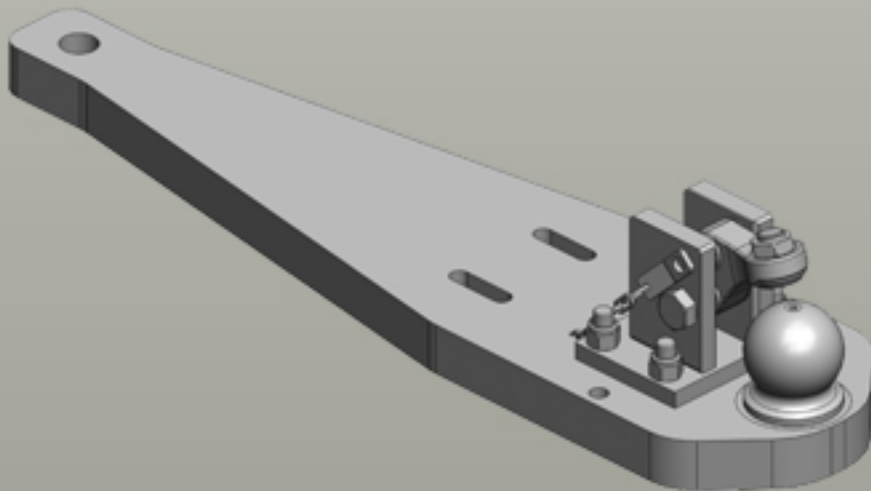
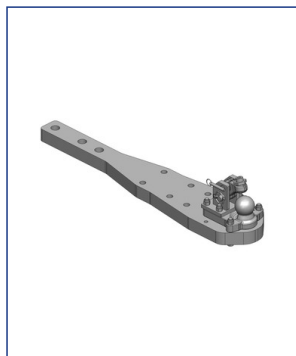




Heavy Duty Drawbars Challenger | MT 700 A-B-C-D



Heavy Duty Drawbars



Art.Nr. 00.964.572.0-A02 | Heavy Duty Drawbars | Standard
K80® Ball Coupling System |

• fits to Original Drawbar Frame (ex factory)

Alternative color

00.964.572.0-A02 (Black)

Technical Values*

Lenght (mm): 1178 | **Wide (mm):** 250 | **Assembly-Positions:** 3 | **Thickness (mm):** 55 | **Locking:** K80® Manual |
Max. Permissible D-Value (kN): 73,2 | **Max. Permissible Vertical Load (kg):** 3000

Adapted for Tractor

Challenger: **MT 700 A-B-C-D:** 735, 745, 755, 765;