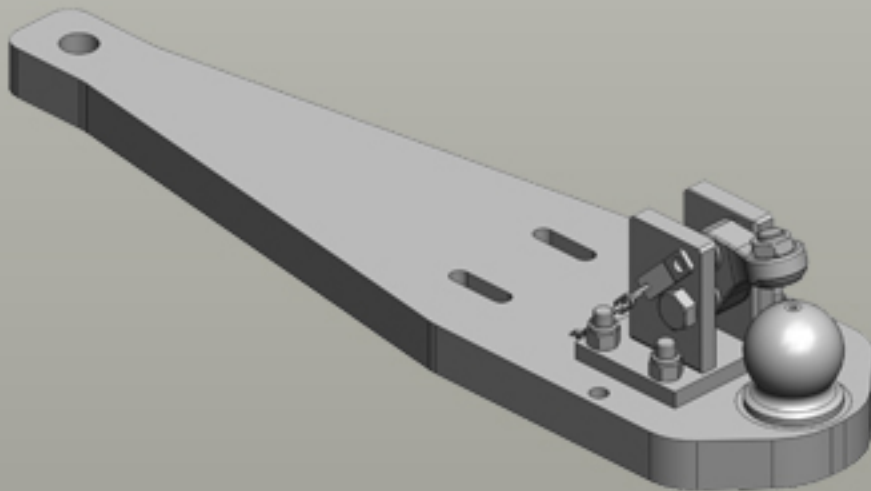




Heavy Duty Drawbars John Deere | 9R (Tier 4A)



Heavy Duty Drawbars



Art.Nr. 00.960.407.3-A17 Heavy Duty Drawbars Standard	
K80® Ball Coupling System	
• Please request Technical Drawing • fits to Original Drawbar Frame (ex factory)	
Alternative color	
00.960.407.3-A17 (JD-Green)	
Technical Values*	
Length (mm): 1818 Wide (mm): 390 Assembly-Positions: 1 Thickness (mm): 60 Locking: K80® Manual Max. Permissible D-Value (kN): 115 Max. Permissible Vertical Load (kg): 3000	
Adapted for Tractor	
John Deere:	9000: 9100, 9200, 9300, 9400; 9020: 9120, 9220, 9320, 9420, 9520, 9620; 9030: 9230, 9330, 9430, 9530, 9630; 9R (Tier 4 Final) : 9.420, 9.470, 9.520, 9.570, 9.620; 9R (Tier 4A): 9.410, 9.460, 9.510, 9.560;