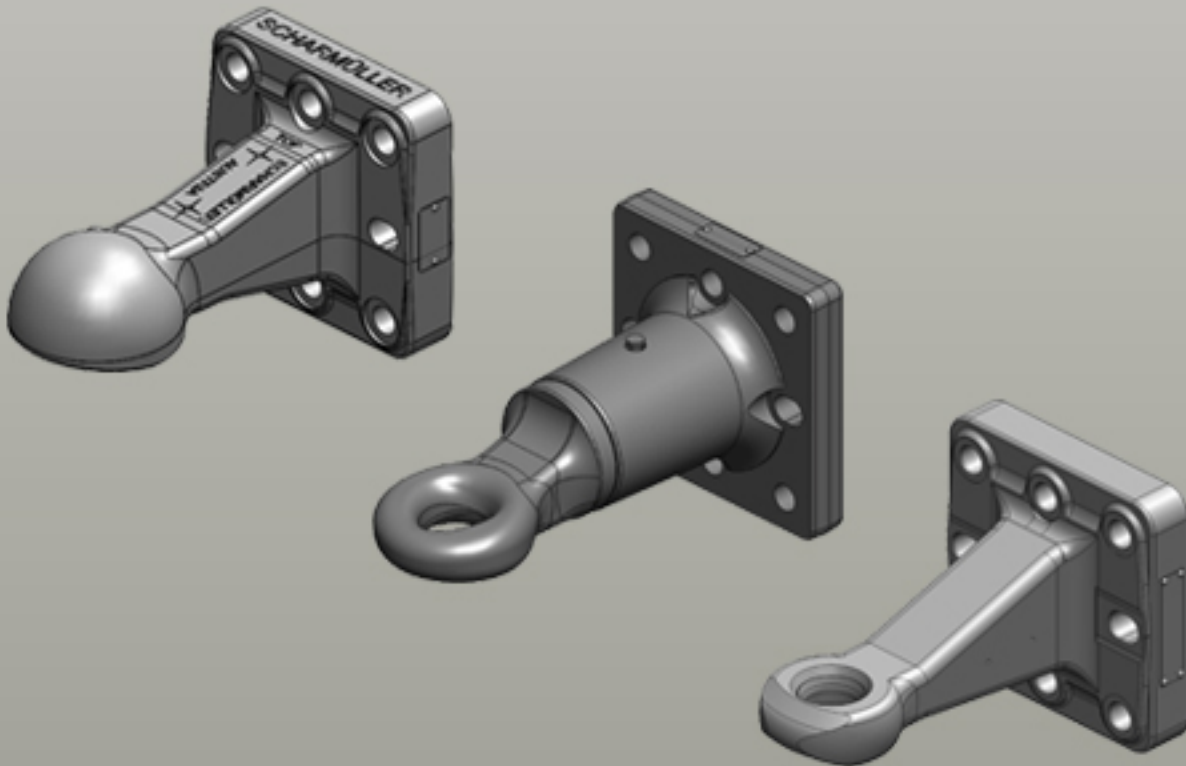


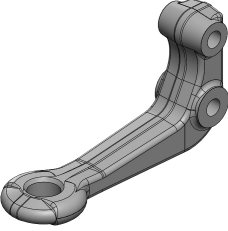


# Towing Eyes | Angle

Ring Towing Eye DØ50mm rigid (Pickup Hitchring) | Standard Towing Eye DØ40mm (30mm thick) | Standard Towing Eye DØ40mm (42mm thick)



## Towing Eyes | Angle

	<p><b>Art.Nr. 00.656.10.0   Towing Eyes   Angle</b>  Standard Towing Eye DØ40mm (30mm thick)  </p> <p><b>Technical Values*</b></p> <p><b>Hole Pattern Holes: 2   Working Length (mm): 242   Max. Permissible D-Value (kN): 38,4   Max. Permissible Vertical Load (kg): 500   Hole Pattern/Hole Distance (mm): 90   Drilled Hole Ø (mm): 21   Shaft Height x Width: 167x70   Approval Status: 94/20/EC</b></p>
	<p><b>Art.Nr. 00.656.11.0   Towing Eyes   Angle</b>  Standard Towing Eye DØ40mm (30mm thick)  </p> <p><b>Technical Values*</b></p> <p><b>Hole Pattern Holes: 6   Working Length (mm): 260   Max. Permissible D-Value (kN): 34,9   Max. Permissible Vertical Load (kg): 800   Hole Pattern/Hole Distance (mm): 35   Drilled Hole Ø (mm): 22   Shaft Height x Width: 230x70   Approval Status: ABG General Type Approval</b></p>
	<p><b>Art.Nr. 00.656.13.1-A02   Towing Eyes   Angle</b>  Standard Towing Eye DØ40mm (30mm thick)  </p> <p>with Type Plate for Homologation after Land and Forestry VO_208_2015</p> <p><b>Alternative color</b> </p> <p>00.656.13.1-A02 (Black )</p> <p><b>Technical Values*</b></p> <p><b>Hole Pattern Holes: 2   Working Length (mm): 242   Max. Permissible D-Value (kN): 65   Max. Permissible Vertical Load (kg): 500   Hole Pattern/Hole Distance (mm): 90   Drilled Hole Ø (mm): 21   Shaft Height x Width: 167x70   Approval Status: VO (EU) 2015/208</b></p>
	<p><b>Art.Nr. 00.656.24.0-A23   Towing Eyes   Angle</b>  Standard Towing Eye DØ40mm (42mm thick)  </p> <p><b>Alternative color</b> </p> <p>00.656.24.0-A23 (Kiotti-Grey)   00.656.24.0-A17 (JD-Green)</p> <p><b>Technical Values*</b></p> <p><b>Hole Pattern Holes: 4   Working Length (mm): 300   Max. Permissible D-Value (kN): 60,4   Max. Permissible Vertical Load (kg): 2500   Hole Pattern/Hole Distance (mm): 40   Drilled Hole Ø (mm): 26   Shaft Height x Width: 220x90   Approval Status: ABG General Type Approval</b></p> <p><b>Geeignete Anhänger</b></p> <p><b>Deutz:</b> BM: 5712, 5912; GP: 81;  <b>Kuhn:</b> LSB: 1270, 1290, 870, 890;</p>
	<p><b>Art.Nr. 00.656.42.0-A01   Towing Eyes   Angle</b>  Ring Towing Eye DØ50mm rigid (Pickup Hitchring)  </p> <p><b>Alternative color</b> </p> <p>00.656.42.0-A01 (Black-Primer )</p> <p><b>Technical Values*</b></p> <p><b>Hole Pattern Holes: 2   Working Length (mm): 300   Max. Permissible D-Value (kN): 57,2   Max. Permissible Vertical Load (kg): 1800   Hole Pattern/Hole Distance (mm): 90   Drilled Hole Ø (mm): 21   Shaft Height x Width: 192x70   Approval Status:</b></p> <p><b>Geeignete Anhänger</b></p> <p><b>Claas:</b> Quadrant: 1100, 1150, 1200;  <b>Grimme:</b> GL: 34; GT: 170; GZ: 1700; SE: 75-20, 75-30, 75-40;</p>