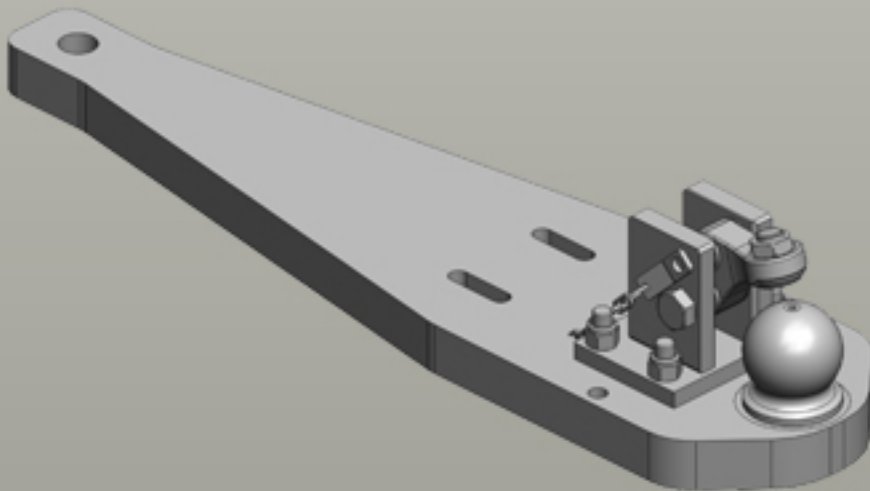
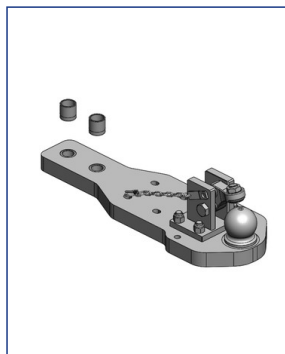




Heavy Duty Drawbars Case IH | Maxxum MXU



Heavy Duty Drawbars



Art.Nr. 00.960.593.2-A02 | Heavy Duty Drawbars | Standard
 K80® Ball Coupling System |

• fits to Sauer mann Ladder-Hitch (ex factory) with Drawbar Frame

Alternative color

00.960.593.2-A02 (Black)

Technical Values*

Length (mm): 695 | Wide (mm): 240 | Assembly-Positions: 2 | Thickness (mm): 40 | Locking: K80® Manual |
Max. Permissible D-Value (kN): 82,4 | Max. Permissible Vertical Load (kg): 3000

Adapted for Tractor

Case IH: Maxum Multicontroller: 110, 115, 120, 125, 130, 140; Maxum MXU: 100, 110, 115, 125, 135; Maxum X-Line : 100, 110, 115, 125, 140;
New Holland: T6: 6.120, 6.140, 6.150, 6.155, 6.160, 6.165, 6.175; T6 (Tier 4B): 6.125, 6.145, 6.155, 6.165, 6.175, 6.180; T6000 Delta: 6010, 6020, 6030, 6050; T6000 Elite: 6020, 6040, 6060, 6070; T6000 Plus: 6010, 6020, 6030, 6050, 6070; TS-A: 100, 110, 115, 125, 135;
Steyr: Profi: 4110, 4115, 4120, 4130, 6115, 6125, 6140; Profi Classic EcoTech: 4110, 6125, 6140; Profi Classic EcoTech (Tier 4): 4115, 4125, 4135, 4145, 6145;
 Profi CVT EcoTech: 4110, 4120, 4130; Profi CVT EcoTech (Tier 4): 4115, 4125, 4135, 4145; Profi EcoTech: 4110, 4120, 4130, 6125, 6140; Profi EcoTech (Tier 4): 4115, 4125, 4135, 4145, 6145;