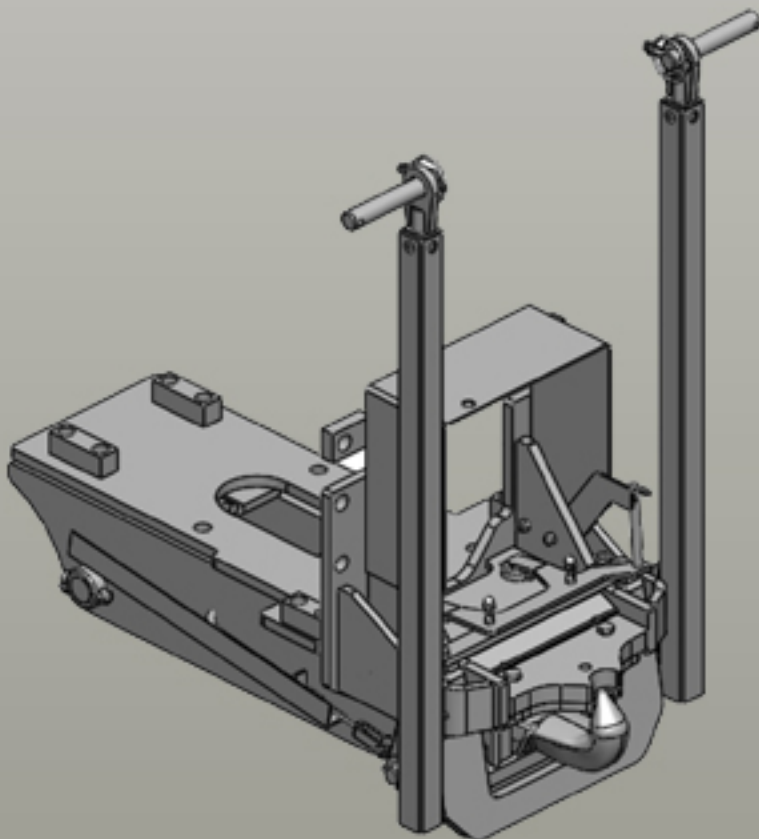
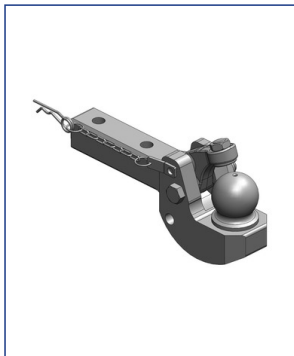




Pick-Up Hitches | Inserts K80® Massey Ferguson



Pick-Up Hitches | Inserts K80®



Art.Nr. 00.421.10.2-A20 | Pick-Up Hitches | Inserts K80®
K80® Ball Coupling System |

Alternative color

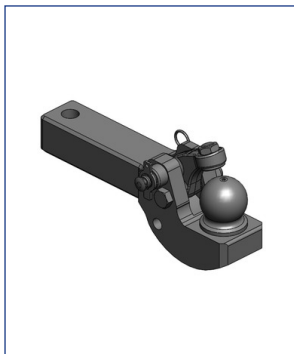
00.421.10.2-A20 (Pöttinger-Red)

Technical Values*

Working Length (mm): 210 | Length (mm): 415 | Max. Permissible D-Value (kN): 74 |
Max. Permissible Vertical Load (kg): 1500 | Hole Pattern/Hole Distance (mm): 114 | Drilled Hole Ø (mm): 22,5 |
Shaft Height x Width: 60x60 | Pick-Up Hitch Producer: fits with Dromone

Adapted for Tractor

Claas: Ares 500/600: 546, 547, 556, 557, 566, 567, 577, 616, 617, 656, 657, 696, 697; Arion 500 (A18): 510, 520, 530, 540; Arion 600 (A19/A20): 610, 620, 630, 640;
Fendt: Vario 200/300: 207, 208, 209, 210, 211, 309, 310, 311, 312;
John Deere: 7010: 7210, 7410, 7510, 7610, 7710, 7810; 8000: 8100, 8200, 8300, 8400;
Massey Ferguson: 5600 Dyna-4: 5608, 5609, 5610, 5611, 5612, 5613; 5600 Dyna-6: 5608, 5609, 5610, 5611, 5612, 5613; 7600 Dyna-6: 7615, 7616, 7618;



Art.Nr. 00.429.00.2-A20 | Pick-Up Hitches | Inserts K80®
K80® Ball Coupling System |

Alternative color

00.429.00.2-A20 (Pöttinger-Red)

Technical Values*

Working Length (mm): 360 | Length (mm): 445 | Max. Permissible D-Value (kN): 89,3 |
Max. Permissible Vertical Load (kg): 2000 | Drilled Hole Ø (mm): 30,5 | Shaft Height x Width: 70x80 |
Pick-Up Hitch Producer: fits with Dromone

Adapted for Tractor

Claas: Axion 800 (A30/A31), Axion 800 (A40/A41), Axion 800 (A60/A61), Axion 900 (A23), Axion 900 (A44)
Fendt: Vario 700/800, Vario 900
John Deere: 8030, 8R (Tier 3A), 8R (Tier 3B)
Massey Ferguson: 6400 Dyna-4 (Tier 2), 6400 Dyna-6 (Tier 3), 7465-7499, 7600 Dyna-6, 7600 Dyna-VT, 8200, 8400, 8600, 8700 Dyna-VT
McCormick: MTX
Valtra: N4-Serie, S2-Serie, S3-Serie, S4-Serie, T4-Serie