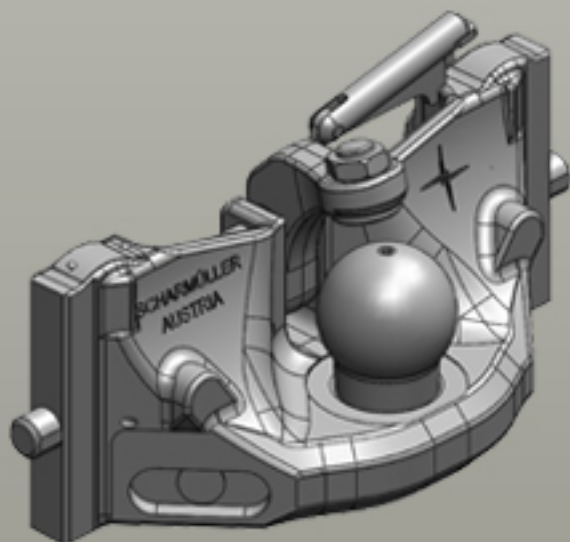




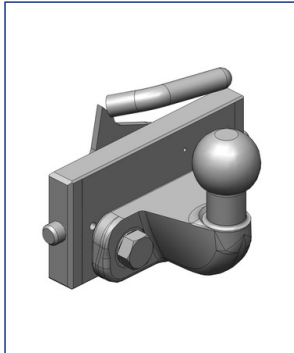
Inserts for Ladder Hitches


Assembly Dimension KN Scharmüller (160/16/25)

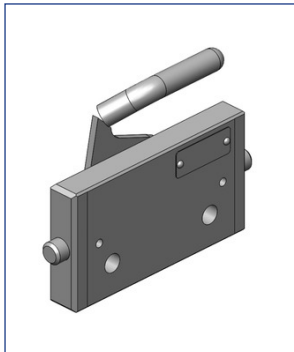



scharmüller 
ANHÄNGERKUPPLUNGEN

Inserts for Ladder Hitches



Art.Nr. 00.508.06.0-A02 Inserts for Ladder Hitches Coupling Inserts	
ISO 50 (Car) Assembly Dimension KN Scharmüller (160/16/25)	
Alternative color 	
00.508.06.0-A02 (Black) 00.508.06.0-A10 (Iseki-Grey) 00.508.06.0-A16 (Kubota-Grey) 00.508.06.0-A22 (Yanmar-Grey)	
Technical Values*	
Thread: M16 Working Length (mm): 80 Adapter Plate Height (mm): 90 Max. Permissible D-Value (kN): 17,2 Max. Permissible Vertical Load (kg): 150 • Height Adjustable with Grabhandle	



Art.Nr. 00.507.20.0-A02 Inserts for Ladder Hitches Adapter Plates	
Assembly Dimension KN Scharmüller (160/16/25)	
Alternative color 	
00.507.20.0-A02 (Black) 00.507.20.0-A10 (Iseki-Grey) 00.507.20.0-A16 (Kubota-Grey) 00.507.20.0-A22 (Yanmar-Grey)	
Technical Values*	
Thread: M16 Hole Pattern Holes: 2 Adapter Plate Height (mm): 90 Max. Permissible D-Value (kN): 17,2 Max. Permissible Vertical Load (kg): 150 Hole Pattern/Hole Distance (mm): 90 • Height Adjustable with Grabhandle	