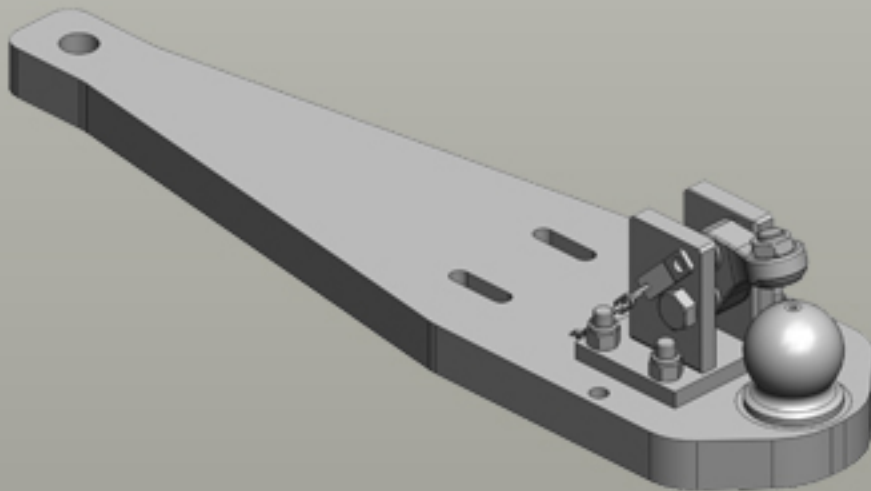
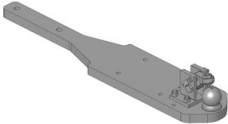





Heavy Duty Drawbars Case IH | Maxxum 5100/5200



Heavy Duty Drawbars

	Art.Nr. 00.960.535.0-A02 Heavy Duty Drawbars Standard	
	K80® Ball Coupling System	
	• fits to Original Ladder Hitch (ex factory) with Drawbar Frame	
	Alternative color 	
	00.960.535.0-A02 (Black)	
	Technical Values*	
Length (mm): 1230 Wide (mm): 250 Assembly-Positions: 2 Thickness (mm): 40 Locking: K80® Manual Max. Permissible D-Value (kN): 58,9 Max. Permissible Vertical Load (kg): 1500		
Adapted for Tractor		
Case IH:	Maxum 5100/5200: 5120, 5130, 5140, 5150, 5220, 5230, 5240, 5250;	