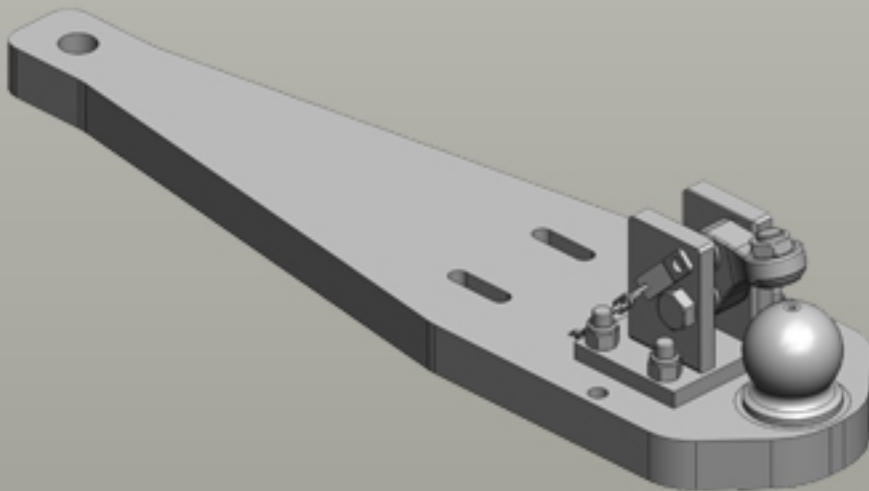
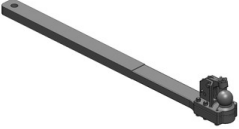

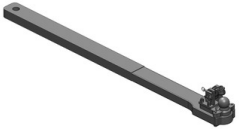





# Heavy Duty Drawbars Case IH | STX



## Heavy Duty Drawbars

	<b>Art.Nr. 00.962.329.0-A02   Heavy Duty Drawbars   Standard</b> K110 Ball Coupling System
	<ul style="list-style-type: none"> <li>fits to Original Drawbar Frame (ex factory)</li> </ul>
	<b>Alternative color</b>  00.962.329.0-A02 (Black )
	<b>Technical Values*</b>
	<b>Lenght (mm):</b> 2164   <b>Wide (mm):</b> 127   <b>Assembly-Positions:</b> 1   <b>Thickness (mm):</b> 65   <b>Locking:</b> K110 Manual   <b>Max. Permissible D-Value (kN):</b> 125   <b>Max. Permissible Vertical Load (kg):</b> 3000
<b>Adapted for Tractor</b>	
<b>Case IH:</b> <b>Quadtrac EP (Tier 4A):</b> 450, 500, 550, 600; <b>Steiger EP (Tier 4A):</b> 350, 400, 450, 500, 550, 600; <b>STX:</b> 385, 435, 485, 535;	
<b>New Holland:</b> <b>T9:</b> 9.390, 9.450, 9.505, 9.560, 9.615, 9.670; <b>T9000:</b> 9020, 9030, 9040, 9050, 9060;	
	<b>Art.Nr. 00.964.329.0-A02   Heavy Duty Drawbars   Standard</b> K80® Ball Coupling System
	<ul style="list-style-type: none"> <li>fits to Original Drawbar Frame (ex factory)</li> </ul>
	<b>Alternative color</b>  00.964.329.0-A02 (Black )
	<b>Technical Values*</b>
	<b>Lenght (mm):</b> 2028   <b>Wide (mm):</b> 127   <b>Assembly-Positions:</b> 1   <b>Thickness (mm):</b> 65   <b>Locking:</b> K80® Manual   <b>Max. Permissible D-Value (kN):</b> 91,3   <b>Max. Permissible Vertical Load (kg):</b> 3000
<b>Adapted for Tractor</b>	
<b>Case IH:</b> <b>Quadtrac EP (Tier 4A):</b> 450, 500, 550, 600; <b>Steiger EP (Tier 4A):</b> 350, 400, 450, 500, 550, 600; <b>STX:</b> 385, 435, 485, 535;	
<b>New Holland:</b> <b>T9:</b> 9.390, 9.450, 9.505, 9.560, 9.615, 9.670; <b>T9000:</b> 9020, 9030, 9040, 9050, 9060;	