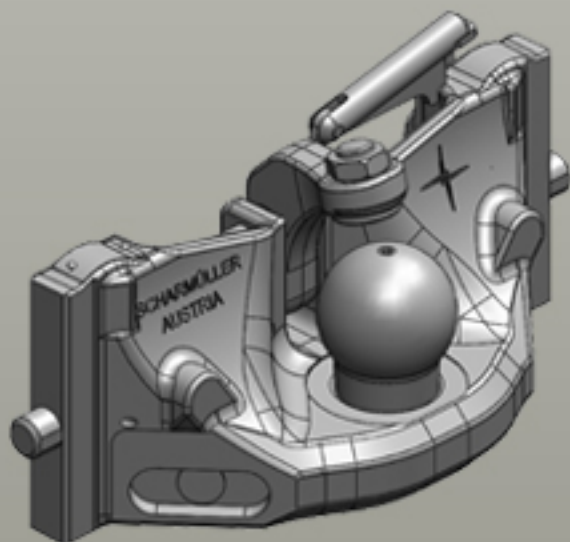


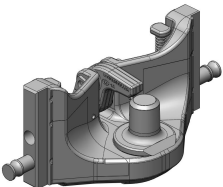

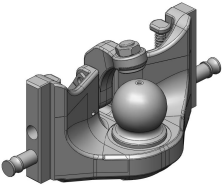



# Inserts for Ladder Hitches

Assembly Dimension Pronar Belarus (331/22/33)



## Inserts for Ladder Hitches

	<p><b>Art.Nr. 05.6331.16-A02   Inserts for Ladder Hitches   Coupling Inserts</b> Draw-Pin (Pitonfix)   Assembly Dimension Pronar Belarus (331/22/33)</p> <p><b>Alternative color</b> </p> <p>05.6331.16-A02 (Black )</p> <p><b>Technical Values*</b></p> <p><b>Working Length (mm):</b> 67   <b>Adapter Plate Height (mm):</b> 160   <b>Locking:</b> Draw Pin (Pitonfix) Manual   <b>Max. Permissible D-Value (kN):</b> 89,3   <b>Max. Permissible Vertical Load (kg):</b> 3000   • Pluggable with Bolt</p>
	<p><b>Art.Nr. 05.6331.51-A02   Inserts for Ladder Hitches   Coupling Inserts</b> K80® Ball Coupling System   Assembly Dimension Pronar Belarus (331/22/33)</p> <p><b>Alternative color</b> </p> <p>05.6331.51-A02 (Black )</p> <p><b>Technical Values*</b></p> <p><b>Working Length (mm):</b> 57   <b>Adapter Plate Height (mm):</b> 160   <b>Locking:</b> K80® Manual   <b>Max. Permissible D-Value (kN):</b> 89,3   <b>Max. Permissible Vertical Load (kg):</b> 4000   • Pluggable with Bolt</p>