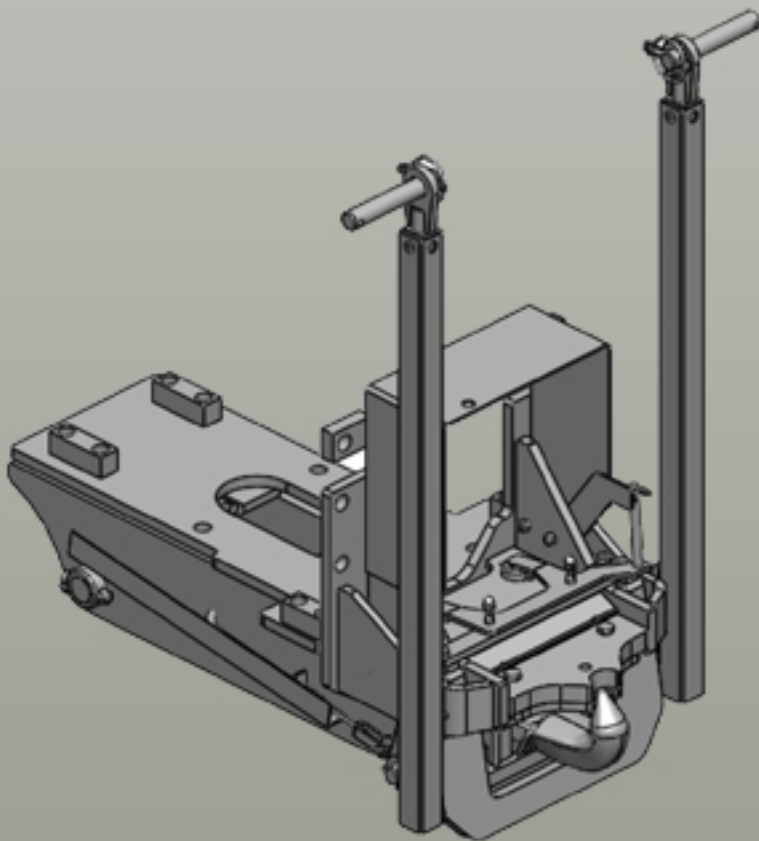
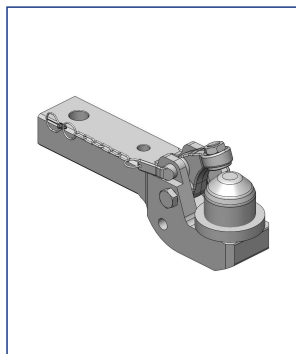




Pick-Up Hitches | Inserts K80® Lindner



Pick-Up Hitches | Inserts K80®



Art.Nr. 00.422.40.0-A20 Pick-Up Hitches Inserts K80®	
K80® Ball Coupling System	
Alternative color	
00.422.40.0-A20 (Pöttinger-Red)	
Technical Values*	
Working Length (mm): 350 Lenght (mm): 450 Max. Permissible D-Value (kN): 50	
Max. Permissible Vertical Load (kg): 2500 Hole Pattern/Hole Distance (mm): 150 Drilled Hole Ø (mm): 32,3	
Shaft Height x Width: 60x90 Pick-Up Hitch Producer: fits with Scharmüller	
Adapted for Tractor	
Lindner:	Geotrac: 100, 103, 104ep, 50, 60, 63, 64, 64ep, 65, 70, 73, 74, 74ep, 75, 80, 83, 84ep, 84ep Pro, 85, 93, 94, 94ep; Lintrac (gelenkt/steered): 100, 80, 90; Lintrac (ungelenkt/not-steered): 110, 90;