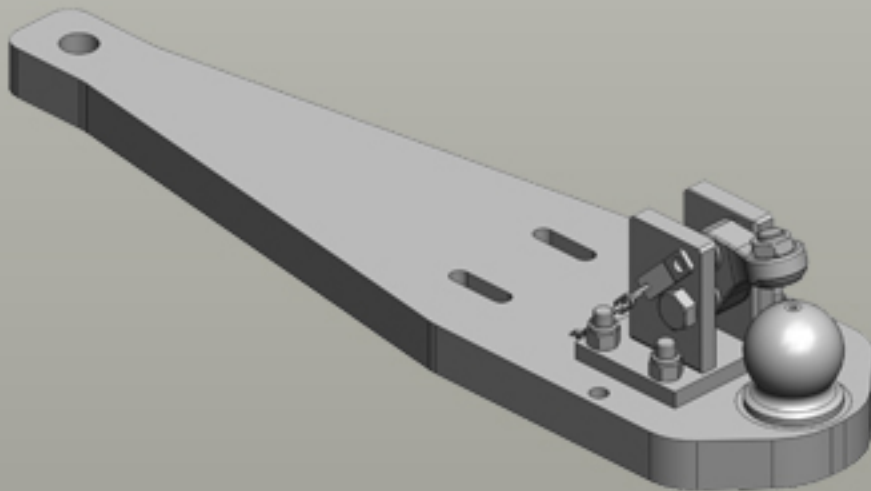


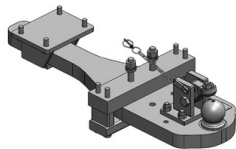


Heavy Duty Drawbars

John Deere | 6M 6155 (Tier 4 Final) MY18



Heavy Duty Drawbars



Art.Nr. 00.960.383.0-SET-A17 | Heavy Duty Drawbars | Standard
K80® Ball Coupling System |

• Forced Steering K50 can only be used outer Position | • fits to Scharmüller & Sauermann Ladder-Hitch without Drawbar Frame

Alternative color

00.960.383.0-SET-A17 (JD-Green)

Technical Values*

Length (mm): 970 | **Wide (mm):** 270 | **Assembly-Positions:** 2 | **Thickness (mm):** 50 | **Locking:** K80® Manual |
Max. Permissible D-Value (kN): 83 | **Max. Permissible Vertical Load (kg):** 3000

Adapted for Tractor

John Deere: **6M 6150 - 6170 (Tier 4 Interim):** 6150M, 6170M; **6M 6155 (Tier 4 Final) MY18:** 6155M;
6R 6.140 - 6.150 (Tier 4 Interim): 6.140, 6.150; **6R 6.145 - 6.155 (Tier 4 Final) MY18:** 6.145, 6.155;