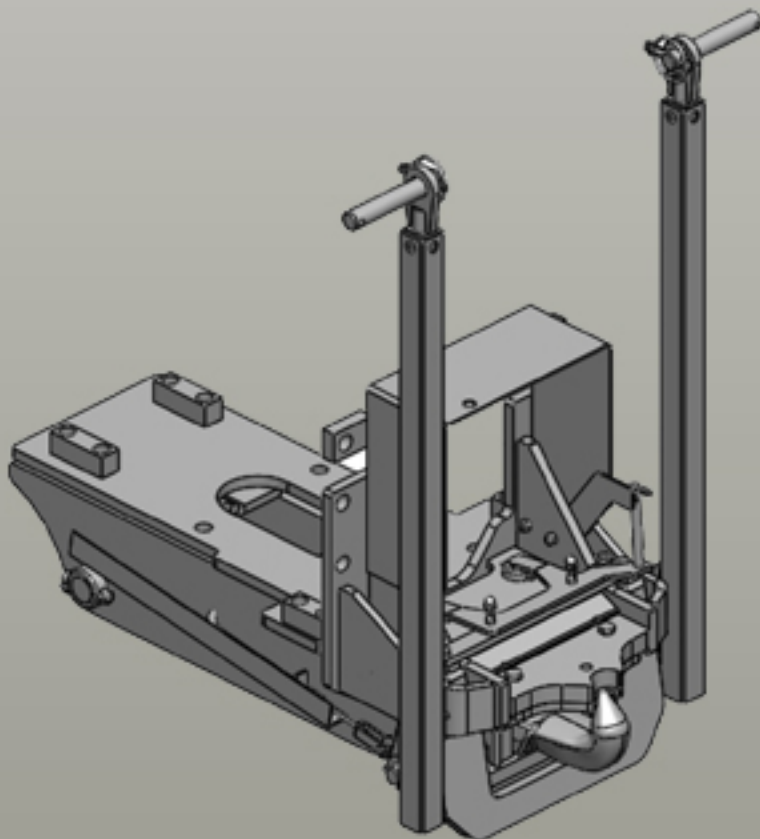
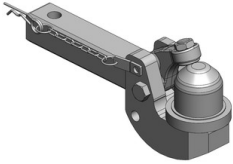




Pick-Up Hitches | Inserts K80® Zetor



Pick-Up Hitches | Inserts K80®



Art.Nr. 00.421.12.2-A20 | Pick-Up Hitches | Inserts K80®
K80® Ball Coupling System |

Alternative color

00.421.12.2-A20 (Pöttinger-Red)

Technical Values*

Working Length (mm): 355 | **Lenght (mm):** 445 | **Max. Permissible D-Value (kN):** 74 |
Max. Permissible Vertical Load (kg): 1500 | **Drilled Hole Ø (mm):** 25 | **Shaft Height x Width:** 60x60 |
Pick-Up Hitch Producer: fits with CBM

Adapted for Tractor

Case IH: **Magnum 7100/7200:** 7110, 7120, 7130, 7140, 7150, 7210, 7220, 7230, 7240, 7250; **Magnum MX:** 180, 200, 220, 240, 270; **Magnum MX (II):** 210, 230, 255, 285, 305;
Maxxum MX: 100, 110, 120, 135, 150, 170;
Deutz-Fahr: **Agrottron 80-180.7:** 106, 108, 110, 115, 118, 120, 128, 130, 135, 150, 150.7, 165.7, 180.7; **Agrottron TTV:** 1130, 1145, 1160, 610, 620;
McCormick: **MTX:** 110, 120, 125, 135, 140, 145, 150, 155;
Same: **Silver:** 105, 110, 130, 95;
Zetor: **Forterra:** 105, 10641, 11441, 115, 11741, 12441, 125, 8621, 8641, 95, 9621, 9641; **Proxima:** 6421, 6441, 7421, 7441, 8421, 8441;