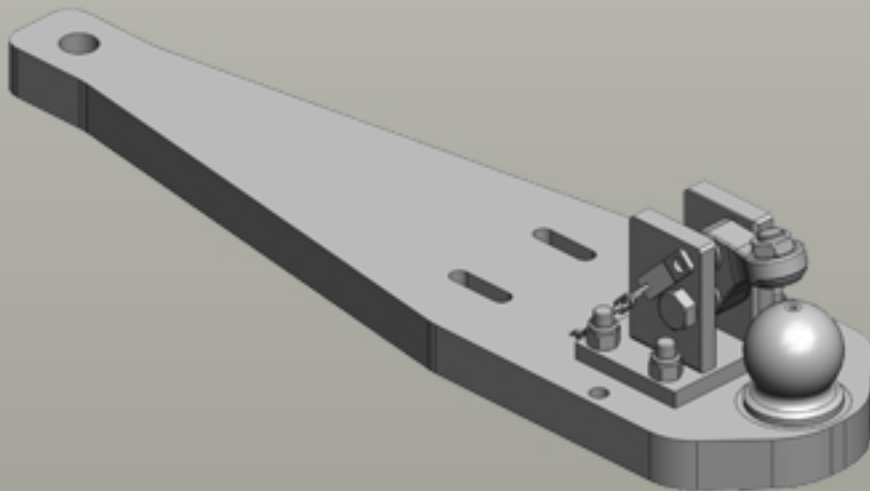
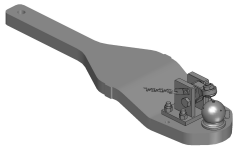

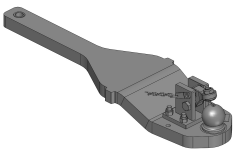





Heavy Duty Drawbars John Deere | 7030



Heavy Duty Drawbars

	Art.Nr. 00.960.385.0-A17 Heavy Duty Drawbars Standard K80® Ball Coupling System
	<ul style="list-style-type: none"> fits to Original Ladder Hitch (ex factory) with Drawbar Frame
	Alternative color  00.960.385.0-A17 (JD-Green)
	Technical Values*
	Lenght (mm): 1003 Wide (mm): 285 Assembly-Positions: 1 Thickness (mm): 45 Locking: K80® Manual Max. Permissible D-Value (kN): 84,1 Max. Permissible Vertical Load (kg): 3000 Offset: to the Bottom
Adapted for Tractor	
John Deere: 6000: 6100, 6200, 6300, 6400, 6600, 6800, 6900; 6010: 6010, 6110, 6210, 6310, 6410, 6510, 6610, 6810, 6910; 6020: 6020, 6120, 6220, 6320, 6420, 6520, 6620, 6820, 6920; 6030: 6130, 6230, 6330, 6430, 6530, 6534, 6630, 6830, 6930; 7010: 7210, 7410, 7510, 7610, 7710, 7810; 7020: 7220, 7320, 7420, 7520; 7030: 7130, 7230, 7330, 7430, 7530;	
	Art.Nr. 00.960.3850.0-A17 Heavy Duty Drawbars Standard K80® Ball Coupling System
	<ul style="list-style-type: none"> fits to Original Ladder Hitch (ex factory) with Drawbar Frame
	Alternative color  00.960.3850.0-A17 (JD-Green)
	Technical Values*
	Lenght (mm): 1033 Wide (mm): 303 Assembly-Positions: 1 Thickness (mm): 45 Locking: K80® Manual Max. Permissible D-Value (kN): 84,1 Max. Permissible Vertical Load (kg): 3000 Offset: to the Bottom
Adapted for Tractor	
John Deere: 7020: 7720, 7820, 7920; 7030: 7730, 7830, 7930;	