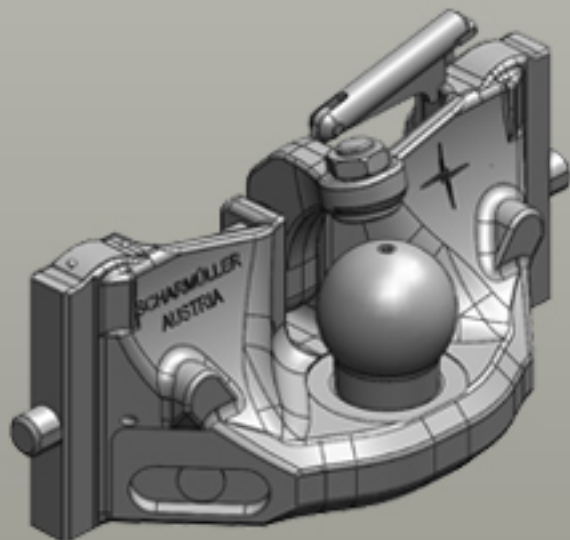
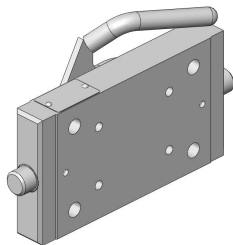




Inserts for Ladder Hitches Assembly Dimension Fendt (220/22/30)



Inserts for Ladder Hitches



Art.Nr. 03.7220.40-A11 | Inserts for Ladder Hitches | Adapter Plates

Assembly Dimension Fendt (220/22/30)

Additional Hole Pattern 83x56 M10

Alternative color 

03.7220.40-A11 (AGCO-Grey)

Technical Values*

Flange Hole Pattern (mm): 140x80 | **Thread:** M16 | **Hole Pattern Holes:** 8 | **Adapter Plate Height (mm):** 120 |
Max. Permissible D-Value (kN): 89,3 | **Max. Permissible Vertical Load (kg):** 2000 | • Height Adjustable with Grabhandle