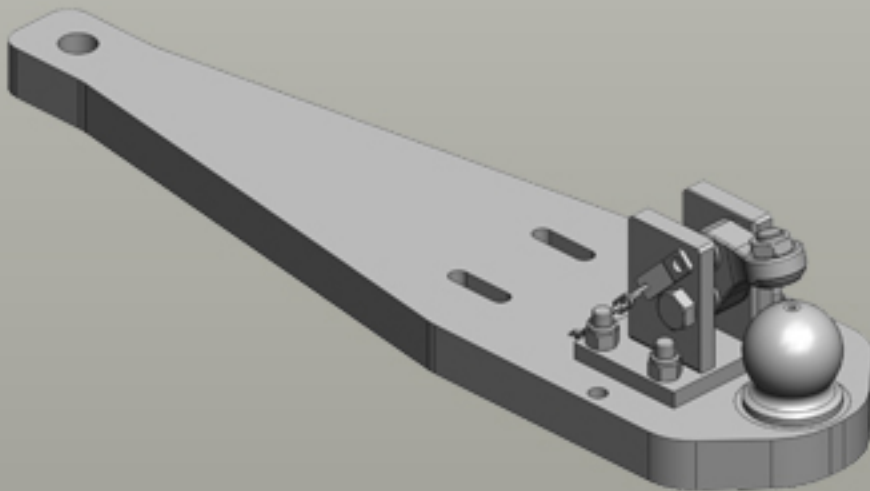




# Heavy Duty Drawbars New Holland | T8 Genesis (Tier 5)



## Heavy Duty Drawbars

	<p><b>Art.Nr. 00.960.599.5-A02   Heavy Duty Drawbars   Standard</b>  K80® Ball Coupling System  </p> <ul style="list-style-type: none"> <li>fits to CBM &amp; Scharmüller Ladder Hitch</li> </ul> <p><b>Alternative color</b> </p> <p>00.960.599.5-A02 (Black )</p> <p><b>Technical Values*</b></p> <p><b>Lenght (mm): 1338   Wide (mm): 270   Assembly-Positions: 2   Thickness (mm): 50   Locking: K80® Manual   Max. Permissible D-Value (kN): 102,4   Max. Permissible Vertical Load (kg): 3000</b></p> <p><b>Adapted for Tractor</b></p> <p><b>Case IH:</b> Magnum: 225, 250, 280, 310, 335; Magnum CVX (Tier 4f): 250, 280, 310, 340, 380; Magnum CVX EP : 235, 260, 290, 315, 340, 370; Magnum CVX/PowerDrive (Stage 5): 310, 340, 380, 400; Magnum CVXDrive Rowtrac (Stage 5): 380; Magnum FPS (Tier 4f): 250, 280, 310, 340; Magnum FPS EP: 235, 260, 290, 315, 340; Magnum MX (II): 210, 230, 255, 285, 305; Magnum Rowtrac (Stage 5): 400;  <b>New Holland:</b> T8 (Tier 4A): 8.275, 8.300, 8.330, 8.360, 8.390, 8.420; T8 (Tier 4B): 8.320, 8.350, 8.380, 8.410, 8.435; T8 Genesis (Tier 5): 8.350, 8.380, 8.410, 8.435; T8000: 8020, 8030, 8040, 8050; TG: 210, 215, 230, 245, 255, 275, 285, 305;</p>
	<p><b>Art.Nr. 00.960.599.9-A02   Heavy Duty Drawbars   Standard</b>  K80® Ball Coupling System  </p> <ul style="list-style-type: none"> <li>HD Heavy Duty   fits to Scharmüller Ladder-Hitch with Drawbar Frame</li> </ul> <p><b>Alternative color</b> </p> <p>00.960.599.9-A02 (Black )</p> <p><b>Technical Values*</b></p> <p><b>Working Length (mm): 220 / 320   Lenght (mm): 1338   Wide (mm): 345   Assembly-Positions: 2   Thickness (mm): 50   Locking: K80® Manual   Max. Permissible D-Value (kN): 120,2   Max. Permissible Vertical Load (kg): 4000</b></p> <p><b>Adapted for Tractor</b></p> <p><b>Case IH:</b> Magnum: 225, 250, 280, 310, 335; Magnum CVX (Tier 4f): 250, 280, 310, 340, 380; Magnum CVX EP : 235, 260, 290, 315, 340, 370; Magnum CVX/PowerDrive (Stage 5): 310, 340, 380, 400; Magnum CVXDrive Rowtrac (Stage 5): 380; Magnum FPS (Tier 4f): 250, 280, 310, 340; Magnum FPS EP: 235, 260, 290, 315, 340; Magnum MX (II): 210, 230, 255, 285, 305; Magnum Rowtrac (Stage 5): 400;  <b>New Holland:</b> T8 (Tier 4A): 8.275, 8.300, 8.330, 8.360, 8.390, 8.420; T8 (Tier 4B): 8.320, 8.350, 8.380, 8.410, 8.435; T8 Genesis (Tier 5): 8.350, 8.380, 8.410, 8.435; T8000: 8020, 8030, 8040, 8050; TG: 210, 215, 230, 245, 255, 275, 285, 305;</p>
	<p><b>Art.Nr. 00.961.599.5-A02   Heavy Duty Drawbars   Standard</b>  Draw-Pin (Pitonfix)  </p> <ul style="list-style-type: none"> <li>fits to CBM &amp; Scharmüller Ladder Hitch</li> </ul> <p><b>Alternative color</b> </p> <p>00.961.599.5-A02 (Black )</p> <p><b>Technical Values*</b></p> <p><b>Lenght (mm): 1338   Wide (mm): 270   Assembly-Positions: 2   Thickness (mm): 50   Locking: Draw Pin (Pitonfix) Manual   Max. Permissible D-Value (kN): 102,4   Max. Permissible Vertical Load (kg): 3000</b></p> <p><b>Adapted for Tractor</b></p> <p><b>Case IH:</b> Magnum: 225, 250, 280, 310, 335; Magnum CVX (Tier 4f): 250, 280, 310, 340, 380; Magnum CVX EP : 235, 260, 290, 315, 340, 370; Magnum CVX/PowerDrive (Stage 5): 310, 340, 380, 400; Magnum CVXDrive Rowtrac (Stage 5): 380; Magnum FPS (Tier 4f): 250, 280, 310, 340; Magnum FPS EP: 235, 260, 290, 315, 340; Magnum MX (II): 210, 230, 255, 285, 305; Magnum Rowtrac (Stage 5): 400;  <b>New Holland:</b> T8 (Tier 4A): 8.275, 8.300, 8.330, 8.360, 8.390, 8.420; T8 (Tier 4B): 8.320, 8.350, 8.380, 8.410, 8.435; T8 Genesis (Tier 5): 8.350, 8.380, 8.410, 8.435; T8000: 8020, 8030, 8040, 8050; TG: 210, 215, 230, 245, 255, 275, 285, 305;</p>