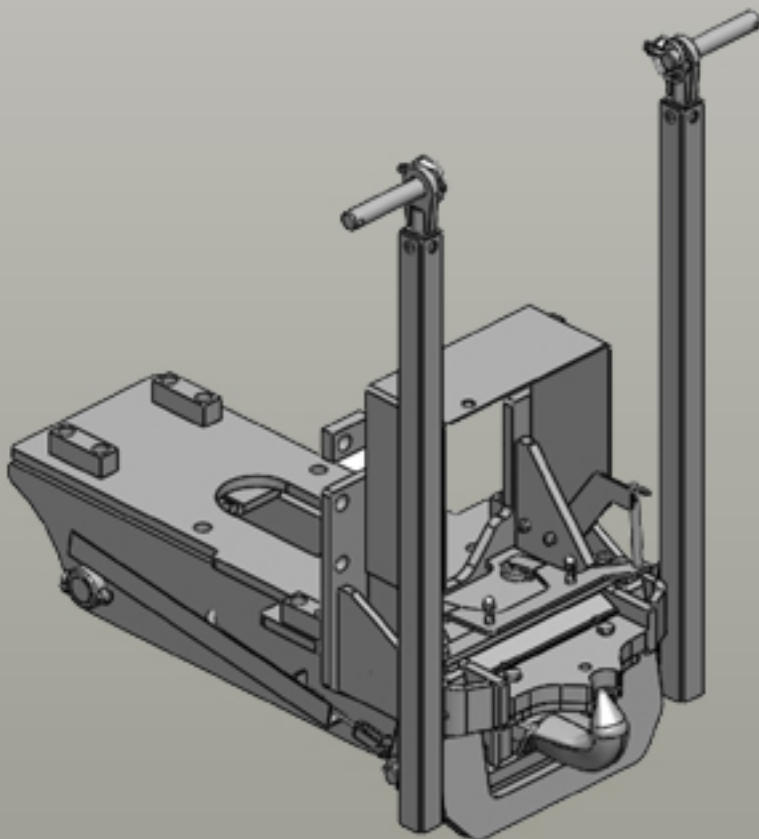




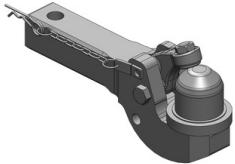

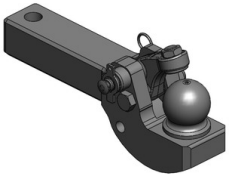

Pick-Up Hitches | Inserts K80® Fendt



Pick-Up Hitches | Inserts K80®

	<p>Art.Nr. 00.421.10.2-A20 Pick-Up Hitches Inserts K80® K80® Ball Coupling System </p> <p>Alternative color </p> <p>00.421.10.2-A20 (Pöttinger-Red)</p> <p>Technical Values*</p> <p>Working Length (mm): 210 Lenght (mm): 415 Max. Permissible D-Value (kN): 74 Max. Permissible Vertical Load (kg): 1500 Hole Pattern/Hole Distance (mm): 114 Drilled Hole Ø (mm): 22,5 Shaft Height x Width: 60x60 Pick-Up Hitch Producer: fits with Dromone</p> <p>Adapted for Tractor</p> <p>Claas: Ares 500/600: 546, 547, 556, 557, 566, 567, 577, 616, 617, 656, 657, 696, 697; Arion 500 (A18): 510, 520, 530, 540; Arion 600 (A19/A20): 610, 620, 630, 640; Fendt: Vario 200/300: 207, 208, 209, 210, 211, 309, 310, 311, 312; John Deere: 7010: 7210, 7410, 7510, 7610, 7710, 7810; 8000: 8100, 8200, 8300, 8400; Massey Ferguson: 5600 Dyna-4: 5608, 5609, 5610, 5611, 5612, 5613; 5600 Dyna-6: 5608, 5609, 5610, 5611, 5612, 5613; 7600 Dyna-6: 7615, 7616, 7618;</p>
	<p>Art.Nr. 00.422.03.2-A20 Pick-Up Hitches Inserts K80® K80® Ball Coupling System </p> <p>Alternative color </p> <p>00.422.03.2-A20 (Pöttinger-Red)</p> <p>Technical Values*</p> <p>Working Length (mm): 282 Lenght (mm): 435 Max. Permissible D-Value (kN): 73,6 Max. Permissible Vertical Load (kg): 3000 Drilled Hole Ø (mm): 30,5 Shaft Height x Width: 70x70 Pick-Up Hitch Producer: fits with Bennet</p> <p>Adapted for Tractor</p> <p>Fendt: Favorit-Vario 700: 711, 712, 714, 716, 718; Favorit-Vario 900: 916, 920, 924, 926; Vario 700/800: 711, 712, 714, 716, 718, 815, 816, 817, 818, 820; Vario 900: 916, 920, 922, 924, 926, 927, 930, 933, 936; Vario SCR 500: 512, 513, 514, 516;</p>
	<p>Art.Nr. 00.422.05.2-A20 Pick-Up Hitches Inserts K80® K80® Ball Coupling System </p> <p>Alternative color </p> <p>00.422.05.2-A20 (Pöttinger-Red)</p> <p>Technical Values*</p> <p>Working Length (mm): 282 Lenght (mm): 545 Max. Permissible D-Value (kN): 89,3 Max. Permissible Vertical Load (kg): 2000 Hole Pattern/Hole Distance (mm): 115 Drilled Hole Ø (mm): 26 Shaft Height x Width: 70x80 Pick-Up Hitch Producer: fits with Bennet</p> <p>Adapted for Tractor</p> <p>Fendt: Farmer 300: 304, 306, 307, 308, 309, 310, 311; Favorit 800: 816, 818, 822, 824; Vario 400: 411, 412, 413, 414, 415;</p>
	<p>Art.Nr. 00.422.10.2-A20 Pick-Up Hitches Inserts K80® K80® Ball Coupling System </p> <p>Alternative color </p> <p>00.422.10.2-A20 (Pöttinger-Red)</p> <p>Technical Values*</p> <p>Working Length (mm): 350 Lenght (mm): 450 Max. Permissible D-Value (kN): 89,3 Max. Permissible Vertical Load (kg): 3000 Drilled Hole Ø (mm): 30,5 Shaft Height x Width: 90x90 Pick-Up Hitch Producer: fits with Bennet</p> <p>Adapted for Tractor</p> <p>Fendt: Vario 1000: 1038, 1042, 1046, 1050; Vario 900: 930, 933, 936; Vario SCR 700/800/900: 714, 716, 718, 720, 722, 724, 819, 822, 824, 826, 828, 924, 927, 930, 933, 936, 939, 942;</p>
	<p>Art.Nr. 00.426.00.3-A20 Pick-Up Hitches Inserts K80® K80® Ball Coupling System </p> <p>Alternative color </p> <p>00.426.00.3-A20 (Pöttinger-Red)</p> <p>Technical Values*</p> <p>Working Length (mm): 265 Lenght (mm): 545 Max. Permissible D-Value (kN): 89,3 Max. Permissible Vertical Load (kg): 2000 Hole Pattern/Hole Distance (mm): 125 Drilled Hole Ø (mm): 22,5 Shaft Height x Width: 70x70 Pick-Up Hitch Producer: fits with Sauermann</p> <p>Adapted for Tractor</p> <p>Fendt: Favorit-Vario 700: 711, 712, 714, 716, 718; Favorit-Vario 900: 916, 920, 924, 926; Vario 700/800: 711, 712, 714, 716, 718, 815, 816, 817, 818, 820; Vario 900: 916, 920, 922, 924, 926, 927, 930, 933, 936;</p>

Pick-Up Hitches | Inserts K80®

	Art.Nr. 00.426.12.1-A20 Pick-Up Hitches Inserts K80® K80® Ball Coupling System
	Alternative color  00.426.12.1-A20 (Pöttinger-Red)
Technical Values*	
Working Length (mm): 355 Lenght (mm): 445 Max. Permissible D-Value (kN): 89,3 Max. Permissible Vertical Load (kg): 2000 Drilled Hole Ø (mm): 30,5 Shaft Height x Width: 70x70 Pick-Up Hitch Producer: fits with CBM	
Adapted for Tractor	
Case IH: Magnum MX: 180, 200, 220, 240, 270; Magnum MX (II): 210, 230, 255, 285, 305; Fendt: Vario 700/800: 711, 712, 714, 716, 718, 815, 816, 817, 818, 820; Vario 900: 916, 920, 922, 924, 926, 927, 930, 933, 936; McCormick: TTX: 190, 210, 230; XTX: 185, 200, 215;	
	Art.Nr. 00.429.00.2-A20 Pick-Up Hitches Inserts K80® K80® Ball Coupling System
	Alternative color  00.429.00.2-A20 (Pöttinger-Red)
Technical Values*	
Working Length (mm): 360 Lenght (mm): 445 Max. Permissible D-Value (kN): 89,3 Max. Permissible Vertical Load (kg): 2000 Drilled Hole Ø (mm): 30,5 Shaft Height x Width: 70x80 Pick-Up Hitch Producer: fits with Dromone	
Adapted for Tractor	
Claas: Axion 800 (A30/A31), Axion 800 (A40/A41), Axion 800 (A60/A61), Axion 900 (A23), Axion 900 (A44) Fendt: Vario 700/800, Vario 900 John Deere: 8030, 8R (Tier 3A), 8R (Tier 3B) Massey Ferguson: 6400 Dyna-4 (Tier 2), 6400 Dyna-6 (Tier 3), 7465-7499, 7600 Dyna-6, 7600 Dyna-VT, 8200, 8400, 8600, 8700 Dyna-VT McCormick: HTX Valtra: N4-Serie, S2-Serie, S3-Serie, S4-Serie, T4-Serie	