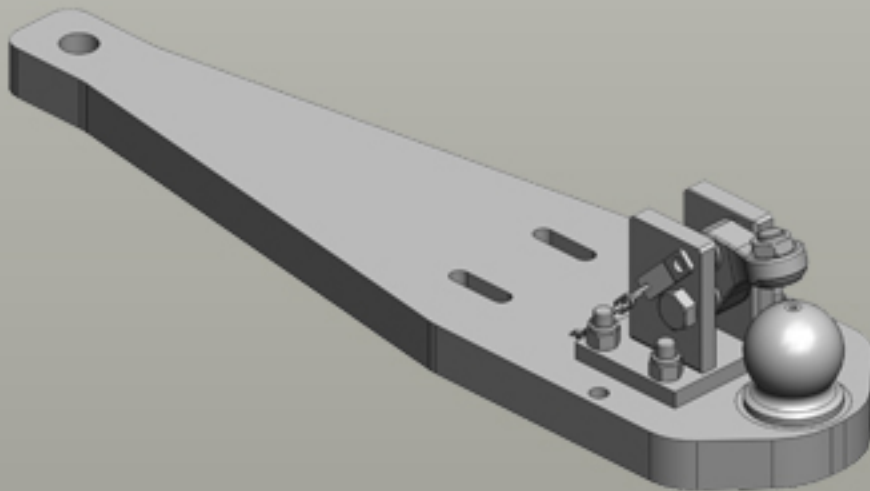
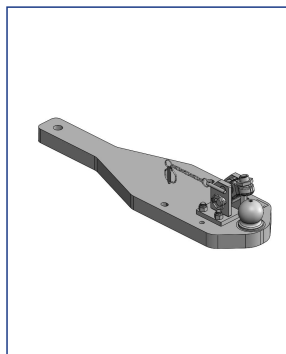




Heavy Duty Drawbars Massey Ferguson | 8700 Dyna-VT



Heavy Duty Drawbars



Art.Nr. 00.960.308.0-A11 | Heavy Duty Drawbars | Standard
K80® Ball Coupling System |

- fits to Scharmüller Ladder-Hitch with Drawbar Frame

Alternative color

00.960.308.0-A11 (AGCO-Grey)

Technical Values*

Working Length (mm): 241 | **Lenght (mm):** 965 | **Wide (mm):** 270 | **Assembly-Positions:** 1 | **Thickness (mm):** 50 |
Locking: K80® Manual | **Max. Permissible D-Value (kN):** 97,1 | **Max. Permissible Vertical Load (kg):** 3000

Adapted for Tractor

Massey Ferguson: 8700 **Dyna-VT:** 8727, 8730, 8732, 8735, 8737, 8740; **8S Dyna-VT:** 85.205, 85.225, 85.245, 85.265, 85.305;

Valtra: **S4-Serie:** 274, 294, 324, 354, 374, 394;