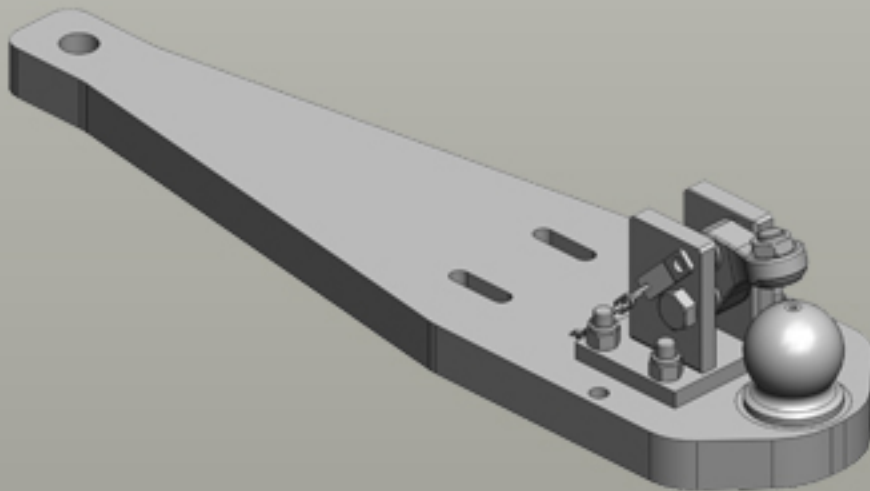
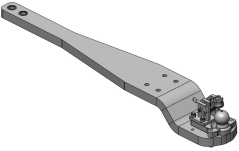

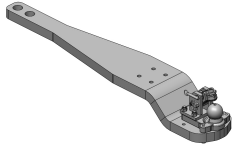





Heavy Duty Drawbars John Deere | 8R (Tier 4 Final)



Heavy Duty Drawbars

	Art.Nr. 00.964.401.0-A17 Heavy Duty Drawbars Standard K80® Ball Coupling System
	<ul style="list-style-type: none"> • Please request Technical Drawing • fits to Original Drawbar Frame (ex factory) with Cat. 4
	Alternative color  00.964.401.0-A17 (JD-Green)
	Technical Values*
	Lenght (mm): 1672 Wide (mm): 260 Assembly-Positions: 2 Thickness (mm): 50 Locking: K80® Manual Max. Permissible D-Value (kN): 91,3 Max. Permissible Vertical Load (kg): 3000 Offset: to the Bottom
	Adapted for Tractor John Deere: 8R (Tier 4 Final): 8.245, 8.270, 8.295, 8.320, 8.345, 8.370, 8.400;
	Art.Nr. 00.964.404.0-A17 Heavy Duty Drawbars Standard K80® Ball Coupling System
	<ul style="list-style-type: none"> • Please request Technical Drawing • fits to Scharmüller & Sauermann Ladder Hitch with Cat. 3 Drawbar Frame
	Alternative color  00.964.404.0-A17 (JD-Green)
	Technical Values*
	Lenght (mm): 1477 Wide (mm): 260 Assembly-Positions: 2 Thickness (mm): 50 Locking: K80® Manual Max. Permissible D-Value (kN): 91,3 Max. Permissible Vertical Load (kg): 3000 Offset: to the Bottom
	Adapted for Tractor John Deere: 8R (Tier 4 Final): 8.245, 8.270, 8.295, 8.320, 8.345, 8.370, 8.400;