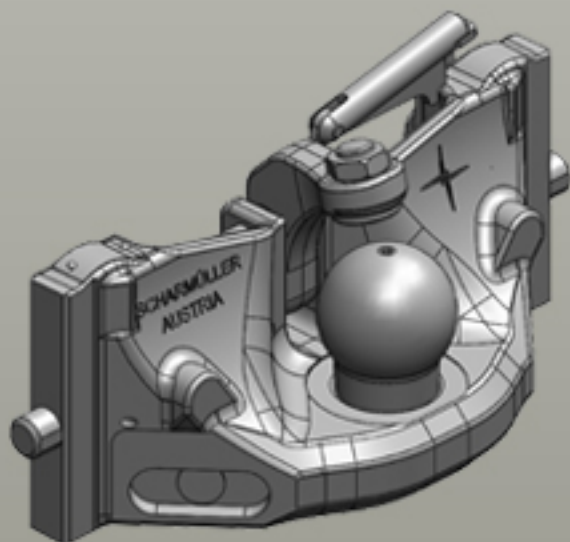




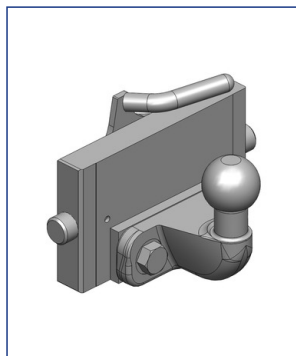
Inserts for Ladder Hitches

Assembly Dimension Scharmüller S32 (200/25/32)

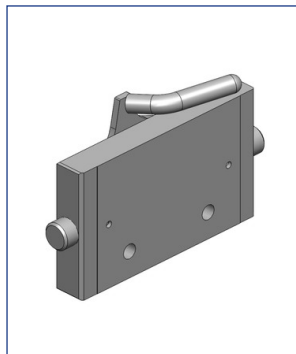


scharmüller 
ANHÄNGERKUPPLUNGEN

Inserts for Ladder Hitches



Art.Nr. 03.7200.00-A02 Inserts for Ladder Hitches Coupling Inserts	
ISO 50 (Car) Assembly Dimension Scharmüller S32 (200/25/32)	
Alternative color	
03.7200.00-A02 (Black)	
Technical Values*	
Thread: M16 Working Length (mm): 95 Adapter Plate Height (mm): 120 Max. Permissible D-Value (kN): 17,2 Max. Permissible Vertical Load (kg): 150 • Height Adjustable with Grabhandle	



Art.Nr. 03.7200.10-A02 Inserts for Ladder Hitches Adapter Plates	
Assembly Dimension Scharmüller S32 (200/25/32)	
Alternative color	
03.7200.10-A02 (Black)	
Technical Values*	
Thread: M16 Hole Pattern Holes: 2 Adapter Plate Height (mm): 120 Max. Permissible D-Value (kN): 25,5 Max. Permissible Vertical Load (kg): 1200 Hole Pattern/Hole Distance (mm): 90 • Height Adjustable with Grabhandle	