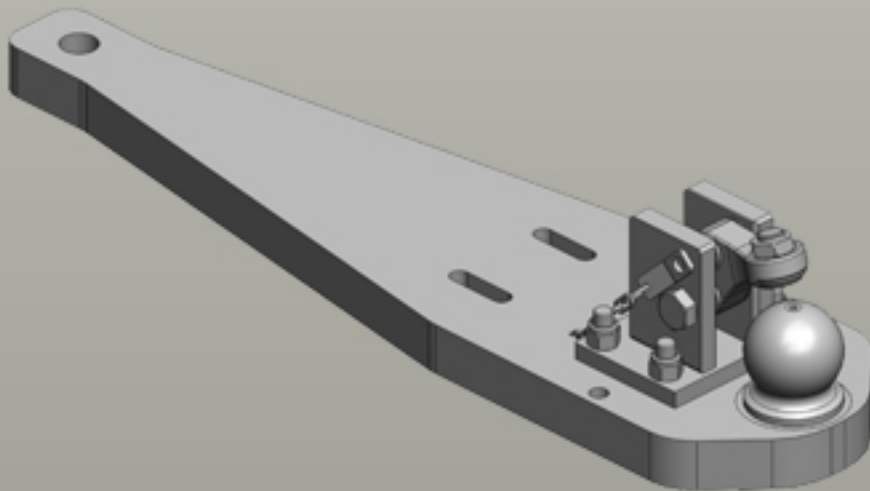




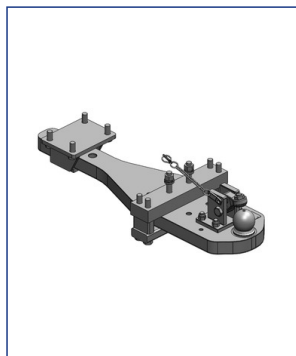
Heavy Duty Drawbars

John Deere | 6M 6175 - 6195 (Tier 4 Final) MY18



scharmüller 
ANHÄNGERKUPPLUNGEN

Heavy Duty Drawbars



Art.Nr. 00.960.384.0-SET-A17 | Heavy Duty Drawbars | Standard
K80® Ball Coupling System |

- Forced Steering K50 can only be used in middle and outer Position |
- fits to Scharmüller & Saueremann Ladder-Hitch without Drawbar Frame

Alternative color

00.960.384.0-SET-A17 (JD-Green)

Technical Values*

Lenght (mm): 1070 | **Wide (mm):** 270 | **Assembly-Positions:** 3 | **Thickness (mm):** 50 | **Locking:** K80® Manual |
Max. Permissible D-Value (kN): 90 | **Max. Permissible Vertical Load (kg):** 3000

Adapted for Tractor

John Deere: **6M 6175 - 6195 (Tier 4 / Stage V):** 6175M, 6195M; **6M 6175 - 6195 (Tier 4 Final) MY18:** 6175M, 6195M; **6R 6.170 - 6.210 (Tier 4 Interim):** 6.170, 6.190, 6.210;