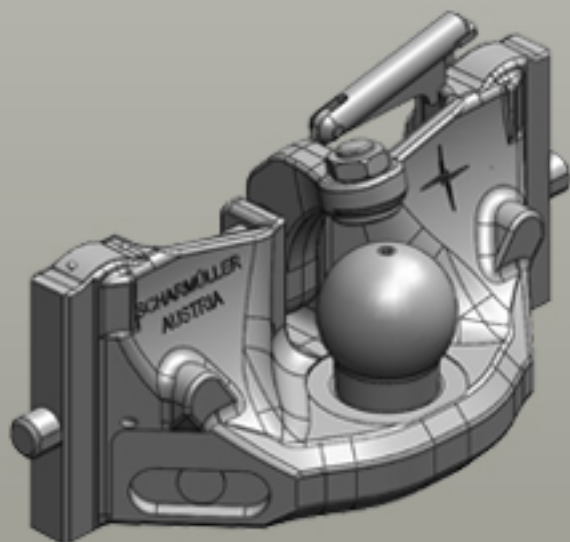






# Inserts for Ladder Hitches

Assembly Dimension KN Scharmüller (200/16/25)



**scharmüller**   
ANHÄNGERKUPPLUNGEN

## Inserts for Ladder Hitches

	<p><b>Art.Nr. 00.508.21.0-A02   Inserts for Ladder Hitches   Coupling Inserts</b>  ISO 50 (Car)   Assembly Dimension KN Scharmüller (200/16/25)</p> <p><b>Alternative color</b> </p> <p>00.508.21.0-A02 (Black)   00.508.21.0-A12 (Same Blueblack)   00.508.21.0-A16 (Kubota-Grey)   00.508.21.0-A17 (JD-Green)   00.508.21.0-A23 (Kiotti-Grey)</p> <p><b>Technical Values*</b></p> <p><b>Thread:</b> M16   <b>Working Length (mm):</b> 80   <b>Adapter Plate Height (mm):</b> 90   <b>Max. Permissible D-Value (kN):</b> 17,2   <b>Max. Permissible Vertical Load (kg):</b> 150   • Height Adjustable with Grabhandle</p>
	<p><b>Art.Nr. 00.508.22.0-A10   Inserts for Ladder Hitches   Coupling Inserts</b>  ISO 50 (Car)   Assembly Dimension KN Scharmüller (200/16/25)</p> <p><b>Alternative color</b> </p> <p>00.508.22.0-A10 (Iseki-Grey)</p> <p><b>Technical Values*</b></p> <p><b>Thread:</b> M16   <b>Working Length (mm):</b> 80   <b>Adapter Plate Height (mm):</b> 90   <b>Max. Permissible D-Value (kN):</b> 17   <b>Max. Permissible Vertical Load (kg):</b> 200   • Height Adjustable with Grabhandle</p>
	<p><b>Art.Nr. 00.507.00.0-A02   Inserts for Ladder Hitches   Adapter Plates</b>  Assembly Dimension KN Scharmüller (200/16/25)</p> <p><b>Alternative color</b> </p> <p>00.507.00.0-A02 (Black)   00.507.00.0-A12 (Same Blueblack)   00.507.00.0-A16 (Kubota-Grey)   00.507.00.0-A17 (JD-Green)</p> <p><b>Technical Values*</b></p> <p><b>Thread:</b> M16   <b>Hole Pattern Holes:</b> 2   <b>Adapter Plate Height (mm):</b> 90   <b>Max. Permissible D-Value (kN):</b> 17,2   <b>Max. Permissible Vertical Load (kg):</b> 150   <b>Hole Pattern/Hole Distance (mm):</b> 90   • Height Adjustable with Grabhandle</p>
	<p><b>Art.Nr. 00.507.02.0-A10   Inserts for Ladder Hitches   Adapter Plates</b>  Assembly Dimension KN Scharmüller (200/16/25)</p> <p><b>Alternative color</b> </p> <p>00.507.02.0-A10 (Iseki-Grey)</p> <p><b>Technical Values*</b></p> <p><b>Thread:</b> M16   <b>Hole Pattern Holes:</b> 2   <b>Adapter Plate Height (mm):</b> 90   <b>Max. Permissible D-Value (kN):</b> 17,2   <b>Max. Permissible Vertical Load (kg):</b> 200   <b>Hole Pattern/Hole Distance (mm):</b> 90   • Height Adjustable with Grabhandle</p>