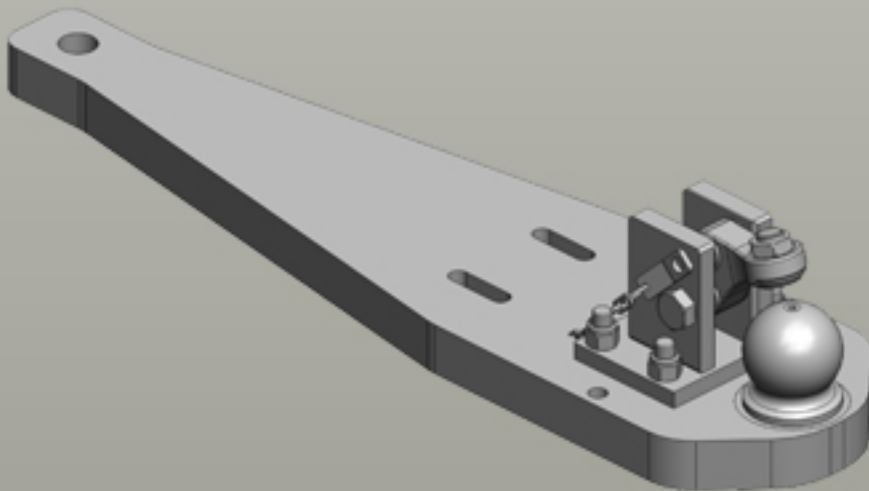
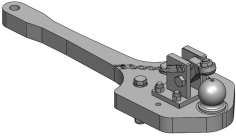

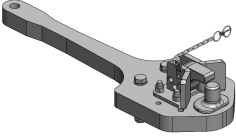





Heavy Duty Drawbars Challenger | MT 500 B TechStar



Heavy Duty Drawbars

	<p>Art.Nr. 00.960.3121.0-A11 Heavy Duty Drawbars Standard K80® Ball Coupling System </p> <ul style="list-style-type: none"> fits to Fendt-Tractors with Year of Construction up to 2008 fits with Fendt drawbarframe H716.501.120.102 for Farmer-Vario 400 fits with Fendt drawbarframe H716.500.120.100 for Favorit-Vario 700, 800 <p>Alternative color </p> <p>00.960.3121.0-A11 (AGCO-Grey)</p> <p>Technical Values*</p> <p>Lenght (mm): 885 Wide (mm): 284 Assembly-Positions: 1 Thickness (mm): 50 Locking: K80® Manual Max. Permissible D-Value (kN): 82,4 Max. Permissible Vertical Load (kg): 3000</p> <p>Adapted for Tractor</p> <p>Challenger: MT 500 B TechStar: 525, 535, 545, 555, 565, 575, 585, 595; Fendt: Farmer-Vario 400: 409, 410, 411, 412; Favorit-Vario 700: 711, 712, 714, 716, 718; Vario 400: 411, 412, 413, 414, 415; Vario 700/800: 711, 712, 714, 716, 718, 815, 816, 817, 818, 820; Massey Ferguson: 6600 Dyna -VT: 6614, 6615, 6616; 6700 S Dyna-VT: 6713, 6714, 6715, 6716, 6718; 7465-7499: 7465, 7475, 7480, 7485, 7490, 7495, 7497, 7499; 7600 Dyna-VT: 7615, 7616, 7618, 7619, 7620, 7622, 7624;</p>
	<p>Art.Nr. 00.961.312.1-A11 Heavy Duty Drawbars Standard Draw-Pin (Pitonfix) </p> <ul style="list-style-type: none"> fits to Fendt-Tractors with Year of Construction up to 2008 fits with Fendt drawbarframe H716.501.120.102 for Farmer-Vario 400 fits with Fendt drawbarframe H716.500.120.100 for Favorit-Vario 700, 800 <p>Alternative color </p> <p>00.961.312.1-A11 (AGCO-Grey)</p> <p>Technical Values*</p> <p>Lenght (mm): 885 Wide (mm): 284 Assembly-Positions: 1 Thickness (mm): 50 Locking: Draw Pin (Pitonfix) Manual Max. Permissible D-Value (kN): 82,4 Max. Permissible Vertical Load (kg): 3000</p> <p>Adapted for Tractor</p> <p>Challenger: MT 500 B TechStar: 525, 535, 545, 555, 565, 575, 585, 595; Fendt: Farmer-Vario 400: 409, 410, 411, 412; Favorit-Vario 700: 711, 712, 714, 716, 718; Vario 400: 411, 412, 413, 414, 415; Vario 700/800: 711, 712, 714, 716, 718, 815, 816, 817, 818, 820; Massey Ferguson: 7465-7499: 7465, 7475, 7480, 7485, 7490, 7495, 7497, 7499; 7600 Dyna-VT: 7615, 7616, 7618, 7619, 7620, 7622, 7624;</p>