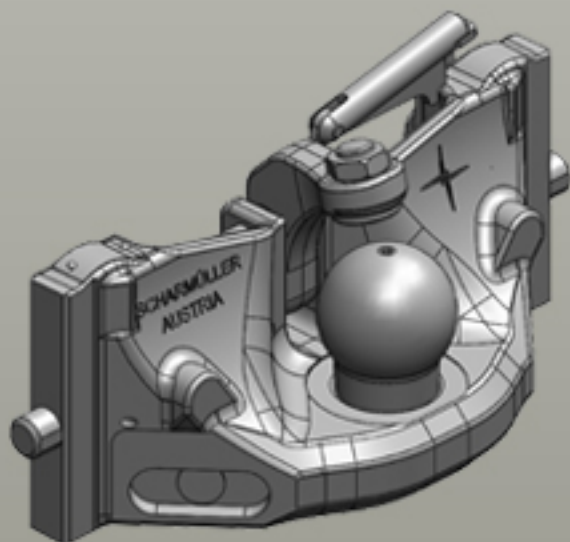




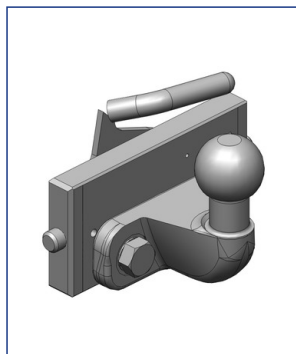
Inserts for Ladder Hitches

Assembly Dimension KN Scharmüller (180/16/25)



scharmüller 
ANHÄNGERKUPPLUNGEN

Inserts for Ladder Hitches



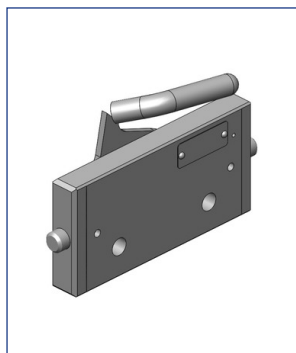
Art.Nr. 00.508.11.0-A02 | Inserts for Ladder Hitches | Coupling Inserts
ISO 50 (Car) | Assembly Dimension KN Scharmüller (180/16/25)

Alternative color

00.508.11.0-A02 (Black) | 00.508.11.0-A10 (Iseki-Grey) | 00.508.11.0-A23 (Kioto-Grey)

Technical Values*

Thread: M16 | **Working Length (mm):** 80 | **Adapter Plate Height (mm):** 90 | **Max. Permissible D-Value (kN):** 17,2 | **Max. Permissible Vertical Load (kg):** 150 | • Height Adjustable with Grabhandle



Art.Nr. 00.507.10.0-A02 | Inserts for Ladder Hitches | Adapter Plates
Assembly Dimension KN Scharmüller (180/16/25)

Alternative color

00.507.10.0-A02 (Black) | 00.507.10.0-A10 (Iseki-Grey) | 00.507.10.0-A23 (Kioto-Grey)

Technical Values*

Thread: M16 | **Hole Pattern Holes:** 2 | **Adapter Plate Height (mm):** 90 | **Max. Permissible D-Value (kN):** 17,2 | **Max. Permissible Vertical Load (kg):** 150 | **Hole Pattern/Hole Distance (mm):** 90 | • Height Adjustable with Grabhandle