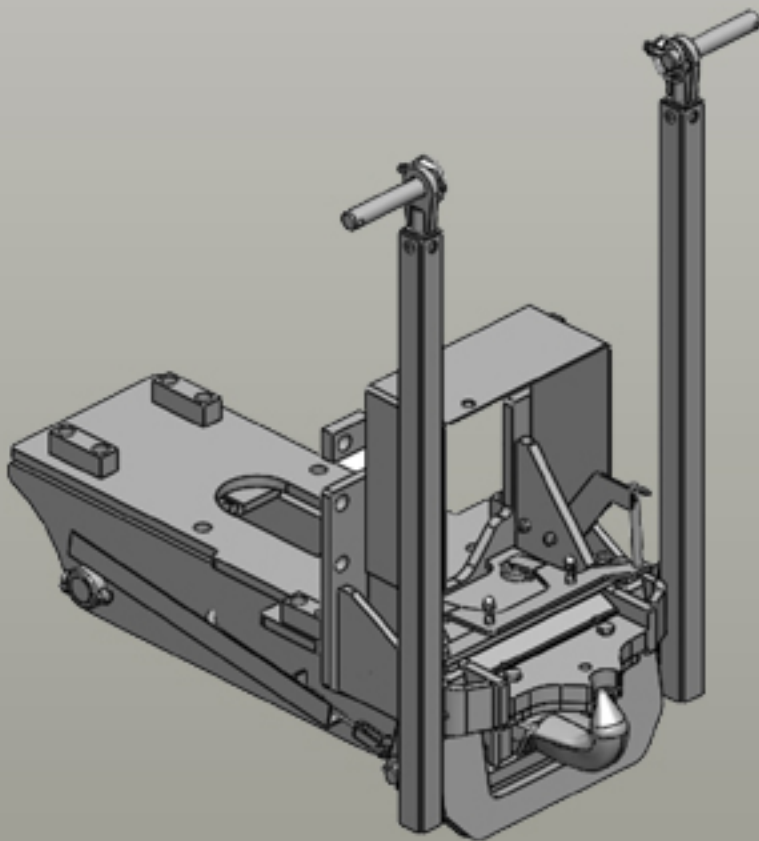




Pick-Up Hitches | Inserts K80® Valtra



Pick-Up Hitches | Inserts K80®

	<p>Art.Nr. 00.422.60.0-A20 Pick-Up Hitches Inserts K80® K80® Ball Coupling System </p> <p>Alternative color </p> <p>00.422.60.0-A20 (Pöttinger-Red)</p> <p>Technical Values*</p> <p>Working Length (mm): 336 Lenght (mm): 417 Max. Permissible D-Value (kN): 82,4 Max. Permissible Vertical Load (kg): 2000 Hole Pattern/Hole Distance (mm): 40 Drilled Hole Ø (mm): 26 Shaft Height x Width: 60x80 Pick-Up Hitch Producer: fits with LH-Lift</p> <p>Adapted for Tractor</p> <p>Valtra: C-Serie: 100, 110, 120, 130, 150, 90; M-Serie: 120, 130, 150; N1/2-Serie: 101, 111e, 121, 122, 134, 141, 142, 82, 92; N3-Serie: 103, 113, 123, 143, 163, 93; T-Serie: 120, 130, 140, 150, 160, 170, 180, 190; T1-Serie: 121, 131, 151e, 161, 171, 191; T2-Serie: 132, 152, 162e, 172, 182, 202; T3-Serie: 133, 153, 163e, 173, 183, 193, 203, 213; XM-Serie: 130, 150;</p>
	<p>Art.Nr. 00.422.70.0-A20 Pick-Up Hitches Inserts K80® K80® Ball Coupling System </p> <p>Alternative color </p> <p>00.422.70.0-A20 (Pöttinger-Red)</p> <p>Technical Values*</p> <p>Working Length (mm): 330 Lenght (mm): 422 Max. Permissible D-Value (kN): 82,4 Max. Permissible Vertical Load (kg): 2000 Hole Pattern/Hole Distance (mm): 65 Drilled Hole Ø (mm): 25 Shaft Height x Width: 60x80 Pick-Up Hitch Producer: fits with LH-Lift</p> <p>Adapted for Tractor</p> <p>Valtra: N3-Serie: 103, 113, 123, 143, 163; N4-Serie: 104, 114E, 124, 134, 154E, 174; T3-Serie: 133, 153, 163e, 173, 183, 193, 203; T4-Serie : 144, 154, 174, 174Eco, 194, 214, 234;</p>
	<p>Art.Nr. 00.429.00.2-A20 Pick-Up Hitches Inserts K80® K80® Ball Coupling System </p> <p>Alternative color </p> <p>00.429.00.2-A20 (Pöttinger-Red)</p> <p>Technical Values*</p> <p>Working Length (mm): 360 Lenght (mm): 445 Max. Permissible D-Value (kN): 89,3 Max. Permissible Vertical Load (kg): 2000 Drilled Hole Ø (mm): 30,5 Shaft Height x Width: 70x80 Pick-Up Hitch Producer: fits with Dromone</p> <p>Adapted for Tractor</p> <p>Claas: Axion 800 (A30/A31), Axion 800 (A40/A41), Axion 800 (A60/A61), Axion 900 (A23), Axion 900 (A44) Fendt: Vario 700/800, Vario 900 John Deere: 8030, 8R (Tier 3A), 8R (Tier 3B) Massey Ferguson: 6400 Dyna-4 (Tier 2), 6400 Dyna-6 (Tier 3), 7465-7499, 7600 Dyna-6, 7600 Dyna-VT, 8200, 8400, 8600, 8700 Dyna-VT McCormick: MTX Valtra: N4-Serie, S2-Serie, S3-Serie, S4-Serie, T4-Serie</p>