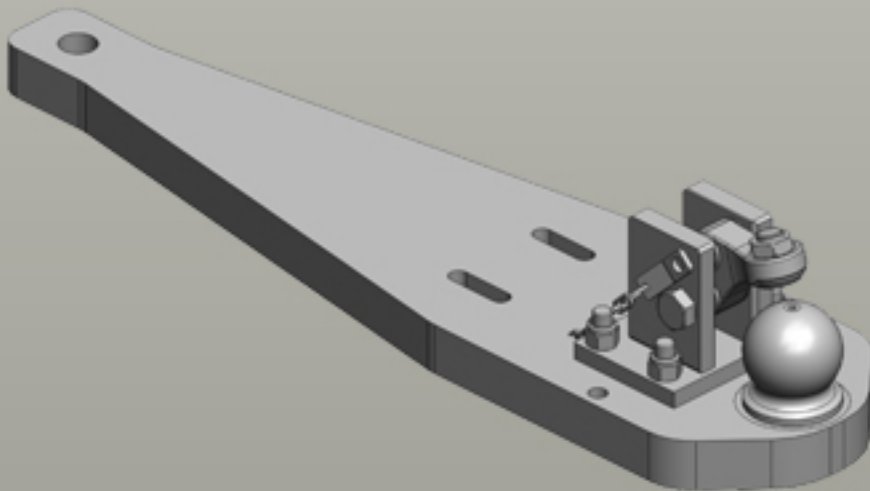
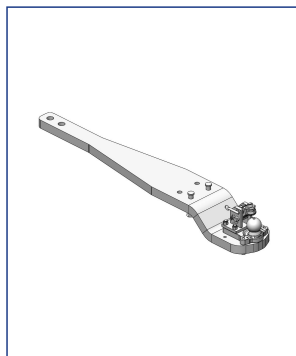




# Heavy Duty Drawbars John Deere | 8R (Tier 4 / Stage V)



## Heavy Duty Drawbars



**Art.Nr. 00.964.402.0-A17 | Heavy Duty Drawbars | Standard**  
K80® Ball Coupling System |

- fits to Sauermann Ladder-Hitch (ex factory) with Drawbar Frame

**Alternative color**

00.964.402.0-A17 (JD-Green)

**Technical Values\***

**Length (mm):** 1632 | **Wide (mm):** 260 | **Assembly-Positions:** 2 | **Thickness (mm):** 50 | **Locking:** K80® Manual |  
**Max. Permissible D-Value (kN):** 91,3 | **Max. Permissible Vertical Load (kg):** 3000 | **Offset:** to the Bottom

**Adapted for Tractor**

**John Deere:** **8R (Tier 4 / Stage V):** 8R 280, 8R 310, 8R 340, 8R 370, 8R 410;